

CARGO HANDLING & PROTECTION SOLUTIONS

BLOCKING, BRACING & CARGO CONTROL FOR CONTAINERS, FLATRACKS, TRAILERS & FLATBEDS

COIL RACKS

CARGO (LOAD) BARS

DECKING/SHORING BEAMS & BARS

**BLOCKING & BRACING
ATTACHMENTS**

**SHORT LINK CHAIN, CHAIN
ASSEMBLIES & LOAD BINDERS**

**D-RINGS w/ STRAPS &
CHAIN TIE-DOWN ANCHORS**

**FLATBED WINCHES,
WINCH BARS & RAILS**

TARP STRAPS w/ S-HOOKS

**FLATBED WINCH STRAPS/ASSEMBLIES
+ CORNER & WEBBING PROTECTORS**

**TRAILER LOGISTIC STRAPS
(Ratchet, Cam Buckle & Tie-Offs)**



WHY CHOOSE BUFFERS USA?

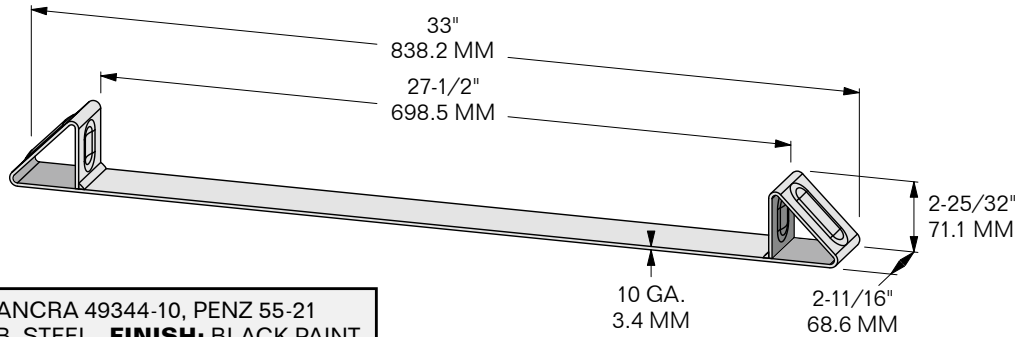
- The industry's most comprehensive line of Cargo Control solutions
- High-quality, heavy-duty design & construction
- One-source ordering for all your needs means less paperwork
- Fast, in-stock delivery from our four warehouse locations across the U.S.
- Distributor network throughout North America, Mexico & South America
- Friendly, knowledgeable customer service



Securing Your Containers. Protecting Your Cargo
At Sea. Over Land. On Rail.

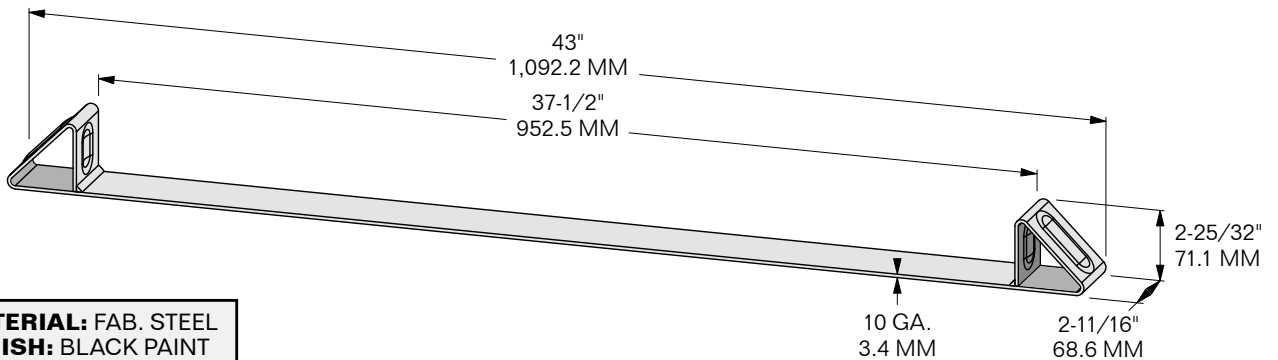
COIL RACKS

MODEL 2908-6347



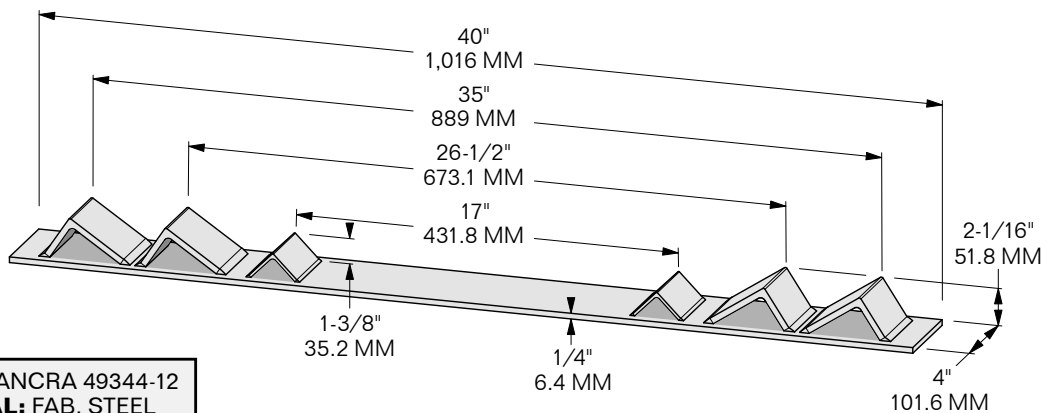
SUB FOR: ANCRA 49344-10, PENZ 55-21
MATERIAL: FAB. STEEL **FINISH:** BLACK PAINT
WEIGHT: 4.7 LBS / 2.13 Kg

MODEL 2908-6348



MATERIAL: FAB. STEEL
FINISH: BLACK PAINT
WEIGHT: 5 LBS / 2.27 Kg

MODEL 2908-6350



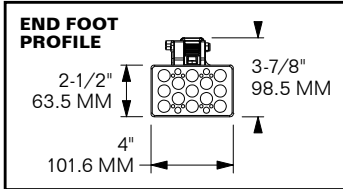
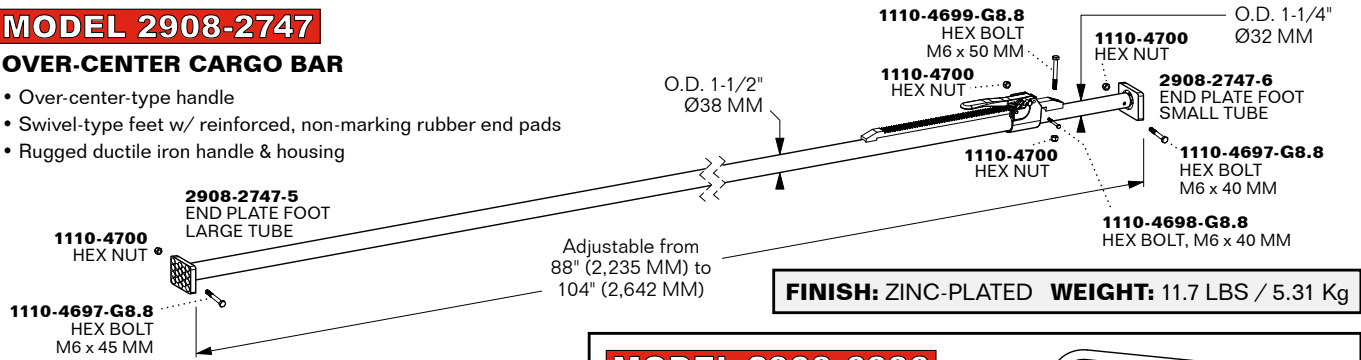
SUB FOR: ANCRA 49344-12
MATERIAL: FAB. STEEL
FINISH: BLACK PAINT
WEIGHT: 16.15 LBS / 7.33 Kg

CARGO (LOAD) BARS

MODEL 2908-2747

OVER-CENTER CARGO BAR

- Over-center-type handle
- Swivel-type feet w/ reinforced, non-marking rubber end pads
- Rugged ductile iron handle & housing



PLEASE NOTE: Cargo bars do not have load ratings due to varying conditions of trailer sidewalls.

MODEL 2908-6336

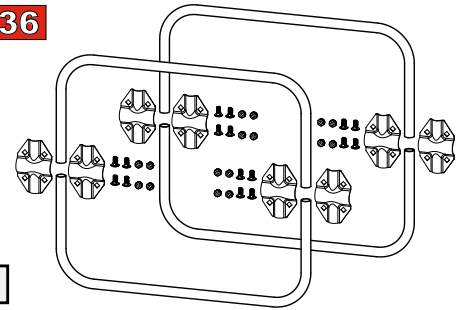
HOOP KIT (sold separately)

Provides larger securing area for 2747 Cargo Bar.

INCLUDES:

- 4 Bolt-on Hoops (steel tubing)
- 8 Steel Brackets
- 18 Nuts & 18 Bolts

WEIGHT: 12.7 LBS / 5.76 Kg

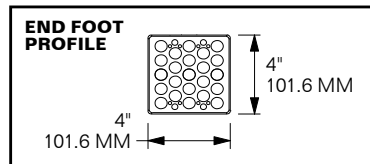
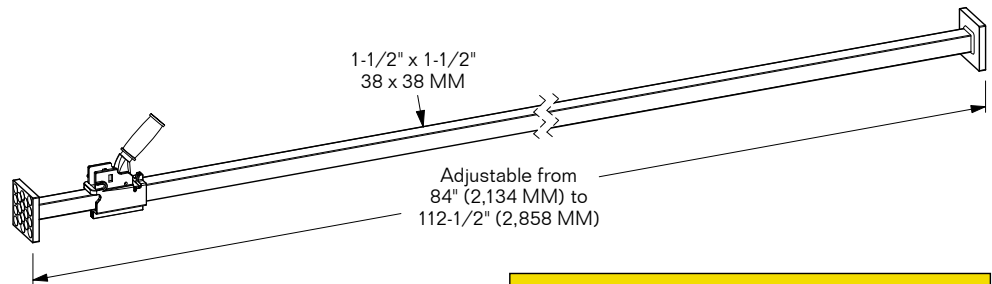


MODEL 2908-2899

JACK-TYPE CARGO BAR

- Jack-type handle
- Rigid-type feet w/ reinforced, non-marking rubber end pads
- Rugged square tubing construction

**FINISH: ZINC-PLATED
WEIGHT: 13.85 LBS / 6.28 Kg**



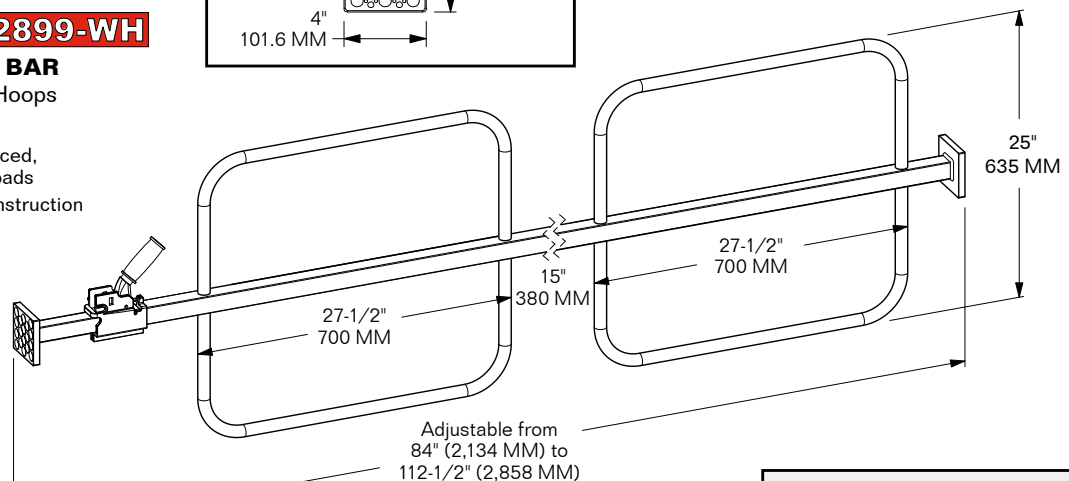
PLEASE NOTE: Cargo bars do not have load ratings due to varying conditions of trailer sidewalls.

MODEL 2908-2899-WH

JACK-TYPE CARGO BAR

2908-2899 w/ Welded Hoops

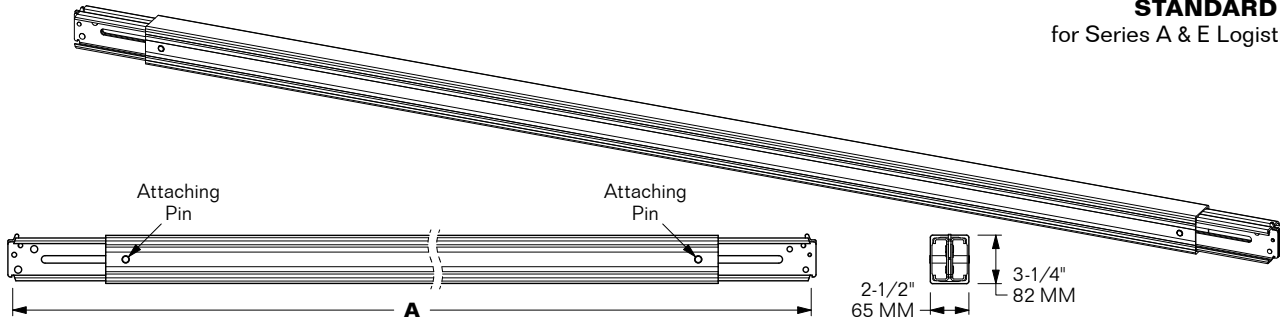
- Jack-type handle
- Rigid-type feet w/ reinforced, non-marking rubber end pads
- Rugged square tubing construction
- Welded hoops



**FINISH: ZINC-PLATED
WEIGHT: 24 LBS / 10.89 Kg**

DECKING & SHORING BEAMS

STANDARD DUTY for Series A & E Logistic Track



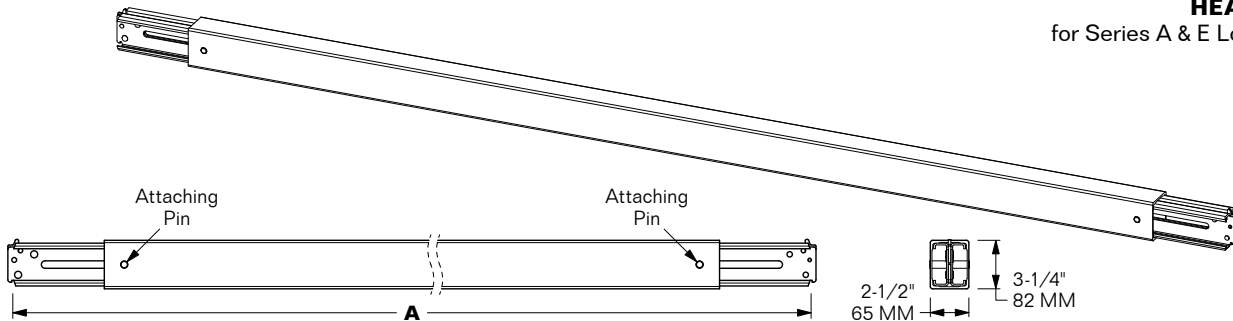
MODEL	MATERIAL EXTRUSION / LATCH ASSY.	DECKING WLL*	SHORING WLL*	A		WEIGHT	FOR TRAILER WIDTH
				MIN.	MAX.		
2908-6324	ALUMINUM / STEEL	2,200 LBS 997.9 Kg	2,000 LBS 907.2 Kg	86" 2,184 MM	97" 2,463 MM	17.9 LBS 8.1 Kg	96"
2908-6325	ALUMINUM / STEEL	2,200 LBS 997.9 Kg	2,000 LBS 907.2 Kg	91" 2,312 MM	102" 2,590 MM	18.8 LBS 8.5 Kg	96" - 102"
2908-6325-106	ALUMINUM / STEEL	2,200 LBS 997.9 Kg	2,000 LBS 907.2 Kg	96-1/4" 2,444 MM	106-5/8" 2,707 MM	19.3 LBS 8.8 Kg	102" HC

SPECIAL ORDER ONLY

***NOTE:** WLL IS BASED ON EVENLY DISTRIBUTED LOADS.

2908-6324 SUB FOR: ANCRA 43638-50, KINEDYNE FE8066-1, MULTIPRENS DB-96
2908-6324 SUB FOR: ANCRA 43638-51, KINEDYNE FE8066-3, MULTIPRENS DB-102
2908-6325-106 SUB FOR: KINEDYNE FE8066-3XL

HEAVY DUTY for Series A & E Logistic Track



MODEL	MATERIAL EXTRUSION / LATCH ASSY.	DECKING WLL*	SHORING WLL*	A		WEIGHT	FOR TRAILER WIDTH
				MIN.	MAX.		
2908-6326	ALUMINUM / STEEL	3,000 LBS 1,360.8 Kg	2,500 LBS 1,134 Kg	86" 2,184 MM	97" 2,463 MM	20.9 LBS 9.5 Kg	96"
2908-6327	ALUMINUM / STEEL	3,000 LBS 1,360.8 Kg	2,500 LBS 1,134 Kg	91" 2,312 MM	102" 2,590 MM	22.3 LBS 10.1 Kg	96" - 102"
2908-6327-106	ALUMINUM / STEEL	3,000 LBS 1,360.8 Kg	2,500 LBS 1,134 Kg	96-1/4" 2,444 MM	106-5/8" 2,707 MM	23 LBS 10.4 Kg	102" HC

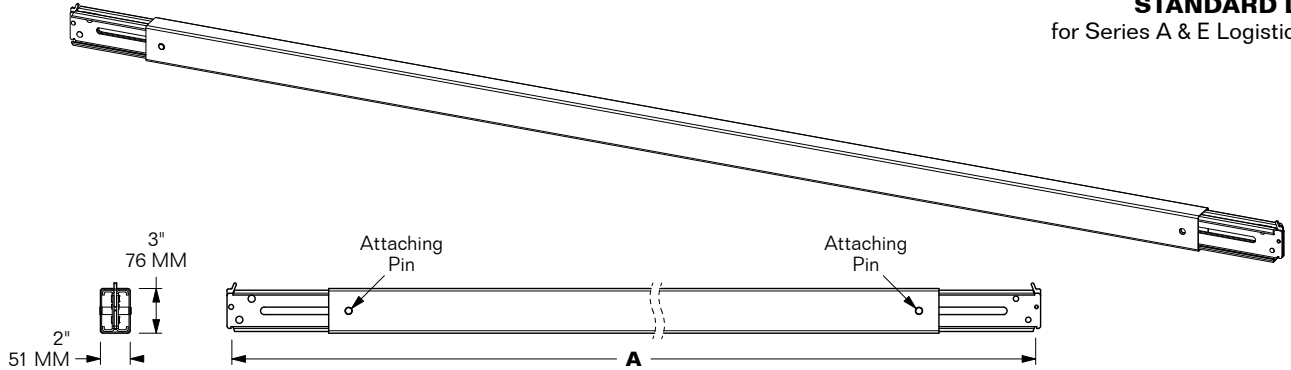
SPECIAL ORDER ONLY

***NOTE:** WLL IS BASED ON EVENLY DISTRIBUTED LOADS.

2908-6326 SUB FOR: ANCRA 49039-50, KINEDYNE FE8000-1, MULTIPRENS DBH-96
2908-6327 SUB FOR: ANCRA 49039-51, KINEDYNE FE8000-12, MULTIPRENS DBH-102
2908-6327-106 SUB FOR: KINEDYNE FE8000-12XL

DECKING & SHORING BEAMS & BARS

STANDARD DUTY for Series A & E Logistic Track



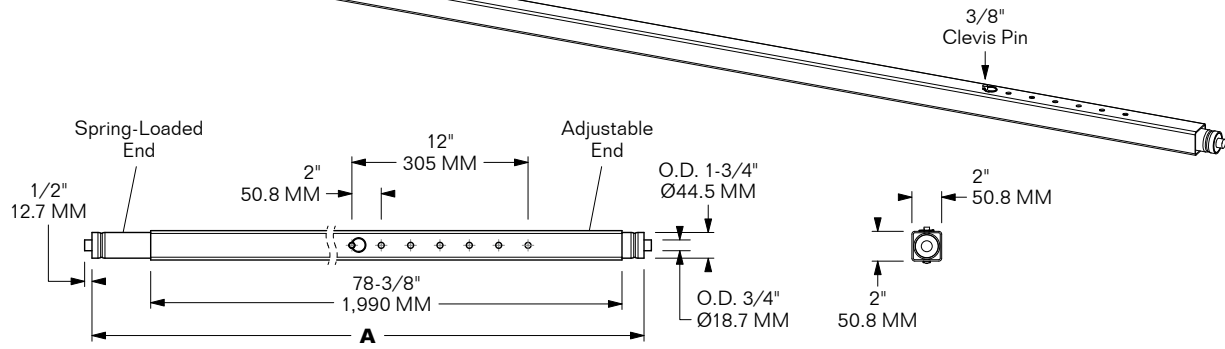
MODEL	MATERIAL EXTRUSION / LATCH ASSY.	DECKING WLL*	SHORING WLL*	A		WEIGHT	FOR TRAILER WIDTH
				MIN.	MAX.		
2908-6328	STEEL (HDG) / STEEL (HDG)	2,000 LBS 907.2 Kg	1,350 LBS 612.3 Kg	86" 2,184 MM	97" 2,464 MM	23.9 LBS 11.5 Kg	85" - 94"
2908-6329	STEEL (HDG) / STEEL (HDG)	2,000 LBS 907.2 Kg	1,350 LBS 612.3 Kg	91" 2,311 MM	102" 2,591 MM	26.5 LBS 12 Kg	92" - 102"

SPECIAL ORDER ONLY

***NOTE:** WLL IS BASED ON EVENLY DISTRIBUTED LOADS.

2908-6328 SUB FOR: ANCRA 49360-10, MULTIPRENS DBS-96
2908-6329 SUB FOR: ANCRA 49360-11, KINEDYNE 1866, MULTIPRENS DBS-102

SQUARE / HEAVY DUTY for Series F Logistic Track



MODEL	TUBE / END ASSY. MATERIAL	SHORING WLL*	A		WEIGHT
			MIN.	MAX.	
2908-6334-95	STEEL (HDG) / STEEL (HDG)	1,000 LBS 453.6 Kg	79-1/2" 2,019 MM	95-1/2" 2,426 MM	21 LBS 9.53 Kg
2908-6334-104	STEEL (HDG) / STEEL (HDG)	1,000 LBS 453.6 Kg	91-5/16" 2,319 MM	104-11/16" 2,659 MM	22.55 LBS 10.23 Kg

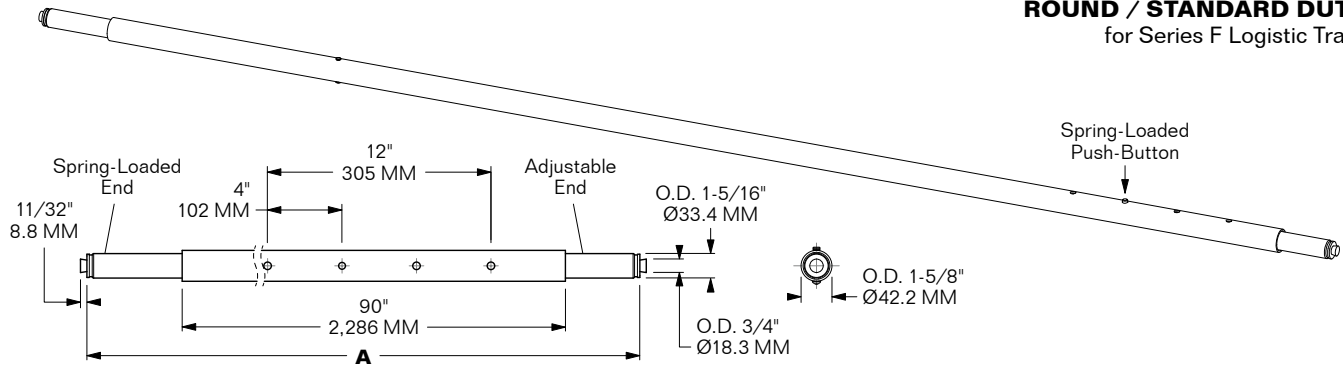
SPECIAL ORDER ONLY

***NOTE:** WLL IS BASED ON EVENLY DISTRIBUTED LOADS.

2908-6334-95 SUB FOR: KINEDYNE FE7495-1
2908-6334-104 SUB FOR: MULTIPRENS SB-203F

SHORING BARS

ROUND / STANDARD DUTY for Series F Logistic Track



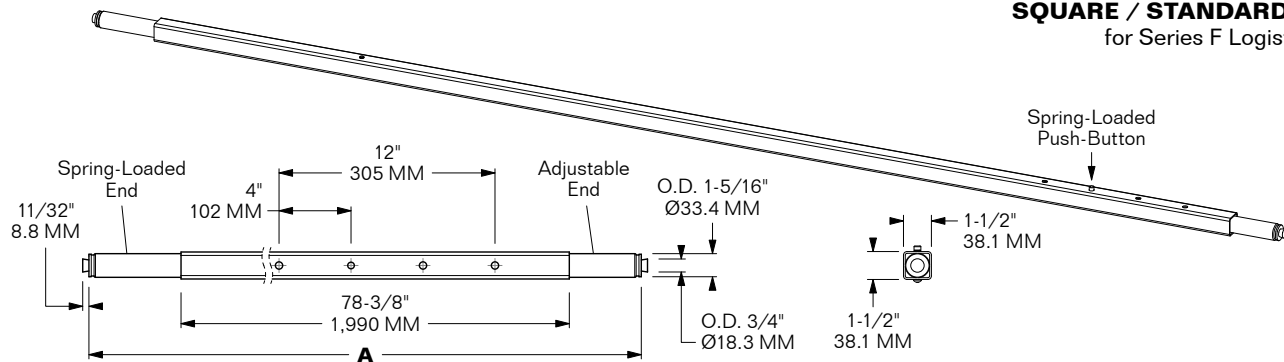
MODEL	TUBE / END ASSY. MATERIAL	SHORING WLL*	A		WEIGHT
			MIN.	MAX.	
2908-6332-93	STEEL (HDG) / STEEL (HDG)	500 LBS 226.8 Kg	79" 2,007 MM	93" 2,362 MM	15.5 LBS 7 Kg
2908-6332-108	STEEL (HDG) / STEEL (HDG)	500 LBS 226.8 Kg	93-1/2" 2,375 MM	108" 2,743 MM	17 LBS 7.7 Kg
2908-6332-114	STEEL (HDG) / STEEL (HDG)	500 LBS 226.8 Kg	100" 2,540 MM	114" 2,896 MM	18 LBS 8.2 Kg

SPECIAL ORDER ONLY

***NOTE:** WLL IS BASED ON EVENLY DISTRIBUTED LOADS.

2908-6332-93 SUB FOR: KINEDYNE 1816-1 **2908-6332-108 SUB FOR:** ANCRA 49439-10, KINEDYNE 1816-2, MULTIPRENS SB-204Y & SB611 **2908-6332-114 SUB FOR:** KINEDYNE 1816-3

SQUARE / STANDARD DUTY for Series F Logistic Track



MODEL	TUBE / END ASSY. MATERIAL	SHORING WLL*	A		WEIGHT
			MIN.	MAX.	
2908-6333-95	STEEL (HDG) / STEEL (HDG)	500 LBS 226.8 Kg	81" 2,057 MM	95" 2,413 MM	16.4 LBS 7.4 Kg
2908-6333-108	STEEL (HDG) / STEEL (HDG)	500 LBS 226.8 Kg	93-1/2" 2,375 MM	108" 2,743 MM	18.3 LBS 8.3 Kg
2908-6333-116	STEEL (HDG) / STEEL (HDG)	500 LBS 226.8 Kg	102" 2,591 MM	116" 2,946 MM	19.1 LBS 8.7 Kg

SPECIAL ORDER ONLY

***NOTE:** WLL IS BASED ON EVENLY DISTRIBUTED LOADS.

2908-6333-95 SUB FOR: KINEDYNE 1818-1
2908-6333-116 SUB FOR: KINEDYNE 1818-3, MULTIPRENS SB-103F

BUFFERS USA 

Securing Your Containers. Protecting Your Cargo.
At Sea. Over Land. On Rail.™

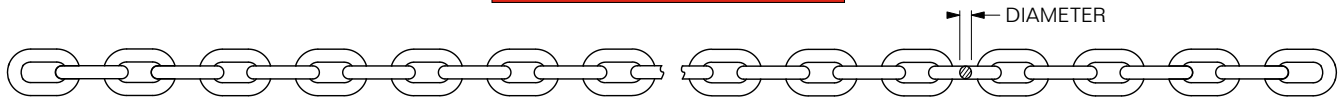
Sales@BuffersUSA.com • www.BuffersUSA.com • 904.696.0010

HOME OFFICE: 10180 New Berlin Road • Jacksonville, FL 32226

WAREHOUSES: Jacksonville, FL • Houston, TX • Detroit, MI • Los Angeles, CA

SHORT LINK CHAIN & CHAIN ASSEMBLIES

SHORT LINK CHAIN



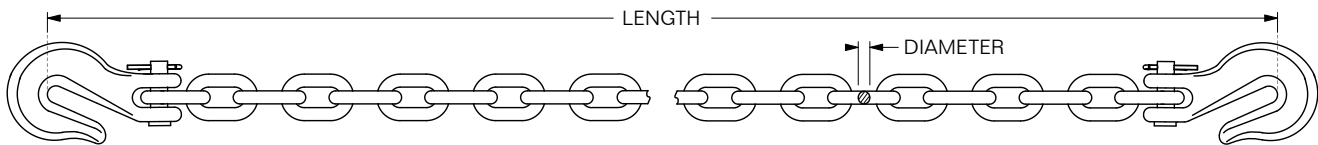
ALL CHAIN PER NACM96 SPECIFICATIONS (NOT FOR LIFTING)
OTHER SIZES AVAILABLE AS SPECIAL ORDER.

MBS IS:
3 x WLL FOR GRADE 43
4 x WLL FOR GRADE 70 & 80

MODEL	CHAIN DIA	GRADE	FINISH	WORKING LOAD LIMIT	WEIGHT PER FT	FT PER DRUM
2901-5/16GR70NACM96	5/16"	GRADE 70 TRANSPORT	YELLOW ZINC	4,700 LBS	1.15 LBS / 0.52 Kg	450'
2901-3/8GR43NACM96	3/8"	GRADE 43 HIGH TEST	SELF-COLOR	5,400 LBS	1.40 LBS / 0.64 Kg	400'
2901-3/8GR70NACM96	3/8"	GRADE 70 TRANSPORT	YELLOW ZINC	6,600 LBS	1.43 LBS / 0.65 Kg	400'
2901-1/2GR70NACM96	1/2"	GRADE 70 TRANSPORT	YELLOW ZINC	11,300 LBS	2.64 LBS / 1.20 Kg	200'
2901-1/2GR80ASTM-A391	1/2"	GRADE 80, ALLOY, HS	BLACK	12,000 LBS	2.50 LBS / 1.13 Kg	200'
2901-5/8GR43NACM96	5/8"	GRADE 43 HIGH TEST	SELF-COLOR	13,000 LBS	3.57 LBS / 1.62 Kg	150'
2901-5/8GR80	5/8"	GRADE 80, ALLOY	COLD ZINC	18,100 LBS	3.75 LBS / 1.70 Kg	150'

CHAIN ASSEMBLIES

CHAIN ASSEMBLY LENGTHS MEASURED FROM INSIDE THE HOOKS AS SHOWN

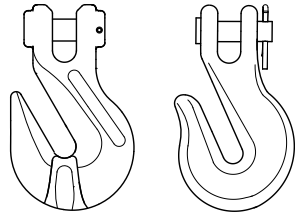


ALL CHAIN PER NACM96 SPECIFICATIONS (NOT FOR LIFTING)
CLEVIS GRAB HOOKS ARE STANDARD ON CHAIN ASSEMBLIES.
EYE HOOKS AVAILABLE AS SPECIAL ORDER.

MBS IS:
3 x WLL FOR GRADE 43
4 x WLL FOR GRADE 70

MODEL	CHAIN DIA	GRADE	FINISH	LENGTH	WORKING LOAD LIMIT	WEIGHT PER PC	PCS PER DRUM
2901-5/16X20HHGR70	5/16"	GRADE 70 TRANSPORT	YELLOW ZINC	20'	4,700 LBS	20.5 LBS / 9.3 Kg	25 PCS
2901-5/16X25HHGR70	5/16"	GRADE 70 TRANSPORT	YELLOW ZINC	25'	4,700 LBS	28.7 LBS / 13.0 Kg	25 PCS
2901-3/8X20HHGR43	3/8"	GRADE 43 HIGH TEST	SELF-COLOR	20'	5,400 LBS	33.0 LBS / 14.9 Kg	25 PCS
2901-3/8X20HHGR70	3/8"	GRADE 70 TRANSPORT	YELLOW ZINC	20'	6,600 LBS	31.3 LBS / 14.2 Kg	25 PCS
2901-1/2X20HHGR70	1/2"	GRADE 70 TRANSPORT	YELLOW ZINC	20'	11,300 LBS	57.0 LBS / 25.9 Kg	10 PCS
2901-1/2X50HHGR70	1/2"	GRADE 70 TRANSPORT	YELLOW ZINC	50'	11,300 LBS	122.3 LBS / 55.5 Kg	4 PCS

CLEVIS GRAB HOOKS for Short Link Chain Assemblies



CLEVIS GRAB HOOKS

MBS is:
3 x WLL for GRADE 43
4 x WLL for GRADE 70 & 80

MODEL	FOR CHAIN DIAMETER	GRADE	FINISH	WORKING LOAD LIMIT (WLL)	WEIGHT (per item)
2901-5/16GHGR70	5/16"	GRADE 70 TRANSPORT	YELLOW ZINC	4,700 LBS	0.75 LBS / 0.34 Kg
2901-3/8GHGR43	3/8"	GRADE 43 HIGH-TEST	SELF-COLOR	5,400 LBS	1.15 LBS / 0.52 Kg
2901-3/8GHGR70	3/8"	GRADE 70 TRANSPORT	YELLOW ZINC	6,600 LBS	1.1 LBS / 0.5 Kg
2901-3/8GHGR80-CC	3/8"	GRADE 80 CRADLE	PAINTED	7,100 LBS	1.65 LBS / 0.75 Kg
2901-1/2GHGR70	1/2"	GRADE 70 TRANSPORT	YELLOW ZINC	11,300 LBS	2.4 LBS / 1.09 Kg
2901-1/2GHGR80-CC	1/2"	GRADE 80 CRADLE	PAINTED	12,000 LBS	3.3 LBS / 1.5 Kg
2901-5/8GHGR43	5/8"	GRADE 43 HIGH-TEST	SELF-COLOR	13,000 LBS	4.2 LBS / 1.9 Kg
2901-5/8GHGR80	5/8"	GRADE 80	ZINC-PLATED	18,100 LBS	5.7 LBS / 2.58 Kg

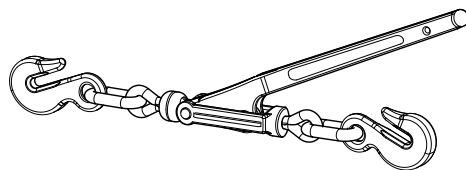
SHORT LINK CHAIN LOAD BINDERS

MODEL 2901-1420

MODEL 2901-1424

LEVER LOAD BINDERS

GRAB HOOKS
ON EACH END →



MODEL	CHAIN SIZE	FEATURES	WORKING LOAD LIMIT (WLL)	MINIMUM BREAK STRENGTH (MBS)	WEIGHT
2901-1420	5/16" GR70 – 3/8" GR43	FULLY FORGED	5,400 LBS / 2,449 Kg	18,800 LBS / 8,527 Kg	7.85 LBS / 3.56 Kg
2901-1424	3/8" GR70 – 1/2" GR43	FULLY FORGED	9,200 LBS / 4,173 Kg	27,600 LBS / 12,519 Kg	12.85 LBS / 5.83 Kg

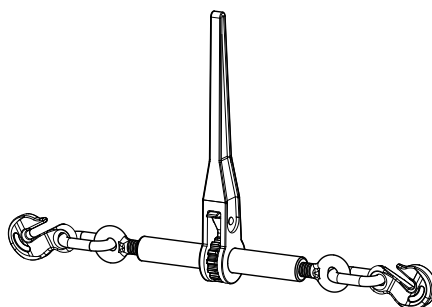
MODEL 2901-1429

MODEL 2901-1430

MODEL 2901-1431

RATCHET LOAD BINDERS

GRAB HOOKS
ON EACH END →



MODEL	CHAIN SIZE	WORKING LOAD LIMIT (WLL)	MINIMUM BREAK STRENGTH (MBS)	WEIGHT	HANDLE	BARREL	TAKE-UP
2901-1429	5/16" GR70 – 3/8" GR43	5,400 LBS / 2,450 Kg	18,800 LBS / 8,527 Kg	10.4 LBS / 4.7 Kg	14"	10"	8"
2901-1430	3/8" GR70 – 1/2" GR43	9,200 LBS / 4,173 Kg	27,600 LBS / 12,519 Kg	11.78 LBS / 5.34 Kg	14"	10"	8"
2901-1431	1/2" GR70 – 5/8" GR43	13,000 LBS / 5,897 Kg	45,200 LBS / 20,502 Kg	15.35 LBS / 6.96 Kg	14"	10"	8"

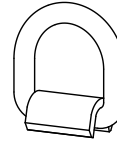
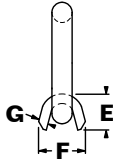
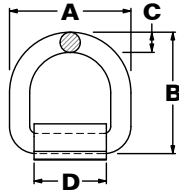
D-RINGS w/ STRAPS (Standard types)

STANDARD-TYPE D-RINGS

NOTE: D-Ring strength for tie-down purposes only. **NOT FOR LIFTING.**

FINISH:

SC – SELF-COLOR
HDG – HOT-DIP GALVANIZED
PR – PRIMER



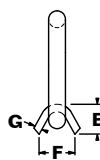
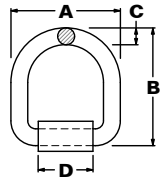
MODEL	DESC.	FINISH	WEIGHT	SWL	MBS	D-RING DIMENSIONS			STRAP DIMENSIONS			
						A	B	C	D	E	F	G
2902-6367-1-SC	D-RING	SC	0.25 LBS 0.28 Kg	3,333 LBS 1,512 Kg	10,000 LBS 4,536 Kg	2-7/16"	2-7/16"	3/8"	1-1/2"	3/4"	1-1/2"	1/4"
2902-6367-2-SC	STRAP	SC	0.20 LBS 0.09 Kg			62.4 MM	62.6 MM	10 MM	38 MM	19 MM	38 MM	6 MM
2902-7576-1-SC	D-RING	SC	1.30 LBS 0.59 Kg	6,333 LBS 2,873 Kg	19,000 LBS 8,618 Kg	4-1/4"	4-1/4"	5/8"	2-1/2"	1-3/16"	1-3/4"	3/8"
2902-7576-2-SC	STRAP	SC	0.75 LBS 0.34 Kg			108.2 MM	108.2 MM	16 MM	63.5 MM	30 MM	44.5 MM	9 MM
2902-6490-1-PR	D-RING	PR	1.64 LBS 0.74 Kg	9,000 LBS 4,082 Kg	27,000 LBS 12,247 Kg	4-1/2"	4-1/2"	3/4"	2-11/16"	1-5/16"	1-7/8"	3/8"
2902-6490-2-PR	STRAP	PR	0.94 LBS 0.43 Kg			114.2 MM	114.2 MM	19 MM	68 MM	34 MM	47 MM	9 MM
2902-7399-1-SC	D-RING	SC	1.97 LBS 0.89 Kg	14,000 LBS 6,350 Kg	42,000 LBS 19,050 Kg	5"	5"	3/4"	3-5/32"	1-3/8"	1-7/8"	3/8"
2902-7399-1-HDG	D-RING	HDG	1.97 LBS 0.89 Kg									
2902-7399-2-SC	STRAP	SC	0.89 LBS 0.40 Kg									
2902-7593-1-SC	D-RING	SC	3.06 LBS 1.39 Kg	15,667 LBS 7,106 Kg	47,000 LBS 21,319 Kg	5"	5"	1"	2-9/16"	1-11/16"	2-7/32"	7/16"
2902-1578-2-SC	STRAP	SC	1.20 LBS 0.54 Kg									
2902-1578-1-HDG	D-RING	HDG	3.25 LBS 1.47 Kg	15,667 LBS 7,106 Kg	47,000 LBS 21,319 Kg	5"	6"	1"	2-9/16"	1-11/16"	2-7/32"	7/16"
2902-1578-1-SC	D-RING	SC	3.70 LBS 1.68 Kg									
2902-1578-2-HDG	STRAP	HDG	1.20 LBS 0.54 Kg									
2902-1578-2-SC	STRAP	SC	1.20 LBS 0.54 Kg									

STANDARD-TYPE D-RINGS

NOTE: D-Ring strength for tie-down purposes only. **NOT FOR LIFTING.**

FINISH:

SC – SELF-COLOR
ZP – ZINC-PLATED



*D-RING SHOWN w/
2902-7669 BOLT-ON STRAP

MODEL	DESC.	FINISH	WEIGHT	SWL	MBS	D-RING DIMENSIONS			STRAP DIMENSIONS			
						A	B	C	D	E	F	G
2902-7668-1-ZP	D-RING	ZP	0.64 LBS 0.29 Kg	3,333 LBS 1,511 Kg	10,000 LBS 4,536 Kg	3-1/4"	3-1/2"	1/2"	1-5/8"	7/8"	1-1/16"	7/32"
2902-7668-2-SC	STRAP	SC	0.25 LBS 0.11 Kg						41.2 MM			5.7 MM
2902-7669	STRAP	ZP	0.4 LBS 0.18 Kg	4,100 LBS 1,859 Kg	12,300 LBS 5,579 Kg	82.5 MM	88.9 MM	12.7 MM	45 MM	22.7 MM	27 MM	7 MM
2902-8477-1-SC	D-RING	SC	0.55 LBS 0.25 Kg									
2902-8477-1-ZP	D-RING	ZP	0.55 LBS 0.25 Kg									
2902-8477-2-SC	STRAP	SC	0.35 LBS 0.16 Kg									

BUFFERS USA®

Securing Your Containers. Protecting Your Cargo.
At Sea. Over Land. On Rail.™

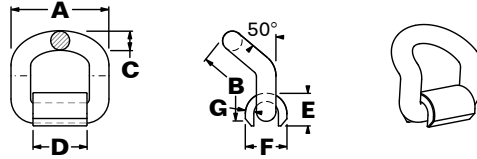
Sales@BuffersUSA.com • www.BuffersUSA.com • 904.696.0010

HOME OFFICE: 10180 New Berlin Road • Jacksonville, FL 32226

WAREHOUSES: Jacksonville, FL • Houston, TX • Detroit, MI • Los Angeles, CA

D-RINGS w/ STRAPS (Bent & Marine types)

FINISH:
 SC – SELF-COLOR
 HDG – HOT-DIP GALVANIZED
 PR – PRIMER

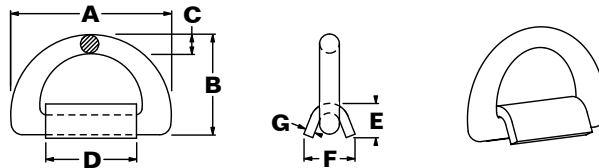


BENT-TYPE D-RINGS

NOTE: D-Ring strength for tie-down purposes only. **NOT FOR LIFTING.**

MODEL	DESC.	FINISH	WEIGHT	SWL	MBS	D-RING DIMENSIONS			STRAP DIMENSIONS			
						A	B	C	D	E	F	G
2902-7614-1-HDG	D-RING	HDG	3.54 LBS 1.61 Kg	15,000 LBS 6,803 Kg	45,000 LBS 20,411 Kg	5"	5-1/2"	1"	2-9/16"	1-11/16"	2-7/32"	7/16"
2902-1578-2-HDG	STRAP	HDG	1.20 LBS 0.54 Kg			127 MM	140 MM	25.4 MM	65 MM	43 MM	56 MM	11 MM
2902-1756-1-HDG	D-RING	HDG	3.64 LBS 1.65 Kg	15,667 LBS 7,106 Kg	47,000 LBS 21,318 Kg	5"	6"	1"	2-9/16"	1-11/16"	2-7/32"	7/16"
2902-1756-1-SC	D-RING	SC	3.69 LBS 1.67 Kg									
2902-1578-2-HDG	STRAP	HDG	1.20 LBS 0.54 Kg									
2902-1578-2-SC	STRAP	SC	1.20 LBS 0.54 Kg									

FINISH:
 SC – SELF-COLOR
 HDG – HOT-DIP GALVANIZED
 PR – PRIMER



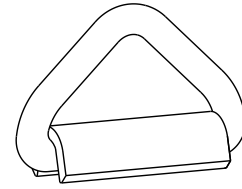
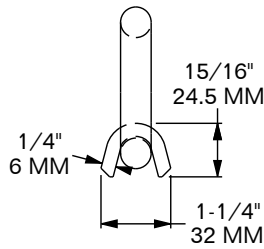
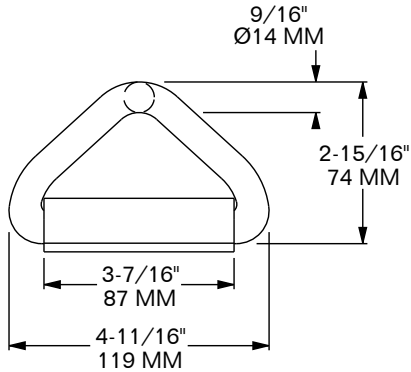
MARINE-TYPE D-RINGS

NOTE: D-Ring strength for tie-down purposes only. **NOT FOR LIFTING.**

MODEL	DESC.	FINISH	WEIGHT	SWL	MBS	D-RING DIMENSIONS			STRAP DIMENSIONS			
						A	B	C	D	E	F	G
2902-1160-1-SC	D-RING	SC	0.75 LBS 0.34 Kg	907 Kg 2,000 LBS	2,722 Kg 6,000 LBS	4-3/4" 120 MM	2-15/16" 74 MM	9/16" 14 MM	3-7/16"	1"	1-1/4"	1/4"
2902-1160-2-HDG	STRAP	HDG	0.50 LBS 0.23 Kg						87 MM	25 MM	32.5 MM	7.1 MM
2902-1160-2-SC	STRAP	SC	0.50 LBS 0.23 Kg									
5012-1854-1-HDG	D-RING	HDG	5.70 LBS 2.59 Kg	20.5 M.TON	41 M.TON	8-7/8"	5-7/16"	1"	4-15/16"	1-13/16"	2-11/16"	1/2"
5012-1854-2-HDG	STRAP	HDG	2.92 LBS 1.32 Kg	45,195 LBS	90,390 LBS	225 MM	138 MM	25.4 MM	126 MM	45.8 MM	68.7 MM	12 MM
3701-2526-1-PR	D-RING	PR	5.70 LBS 2.58 Kg	25 M.TON 55,115 LBS	50 M.TON 110,230 LBS	8-3/4" 222 MM	5-11/16" 143.8 MM	1" 25.4 MM	4-1/2"	2"	2-3/8"	9/16"
3701-2526-1-SC	D-RING	SC	5.67 LBS 2.57 Kg						108 MM	50.8 MM	60.3 MM	15 MM
3701-2526-2-PR	STRAP	PR	2.77 LBS 1.26 Kg									
3701-2526-2-SC	STRAP	SC	2.77 LBS 1.26 Kg									
5012-7092-1-PR	D-RING	PR	7.75 LBS 3.52 Kg	25 M.TON 55,115 LBS	50 M.TON 110,230 LBS	9-7/16" 240 MM	5-15/16" 151 MM	1-1/4" 32 MM	5-1/2"	2"	2-7/8"	9/16"
5012-7092-1-HDG	D-RING	HDG	7.93 LBS 3.60 Kg						140 MM	50 MM	73 MM	14 MM
5012-7092-2-PR	STRAP	PR	3.32 LBS 1.50 Kg									
5012-7092-2-HDG	STRAP	HDG	3.05 LBS 1.38 Kg									

D-RINGS w/ STRAPS & CHAIN TIE-DOWN ANCHOR

D-RING MODEL 3701-1177
STRAP MODEL 2902-1160-2

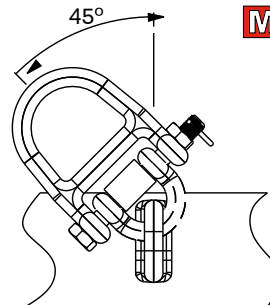
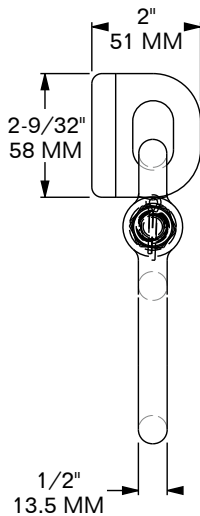
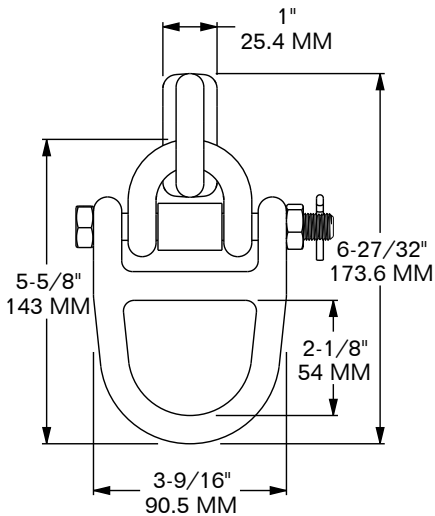


SWL: 5,000 LBS / 2,268 Kg
MBS: 15,000 LBS / 6,804 Kg

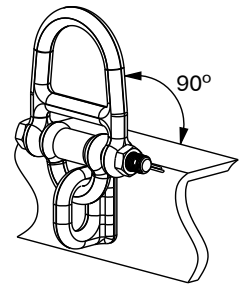
3701-1177 D-RING
MATERIAL: FORGED STEEL **FINISH:** SELF-COLOR
WEIGHT: 0.77 LBS / 0.35 Kg

2902-1160-2-SC or -HDG STRAP
MATERIAL: FORGED STEEL **FINISH:** SELF-COLOR or HDG
WEIGHT: 0.54 LBS / 0.24 Kg

MODEL 3701-7577-KIT
CHAIN TIE-DOWN ANCHOR



FUNCTIONAL AT MIN. 45° TO EITHER SIDE OF VERTICAL CENTER.

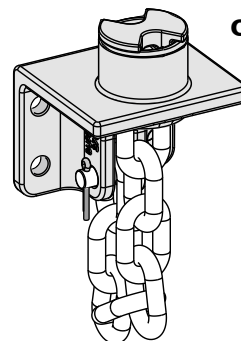
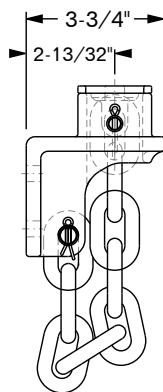
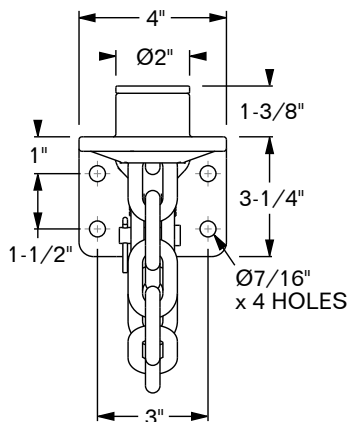


FUNCTIONAL AT MIN. 90° FROM VERTICAL CENTER TOWARD CARGO AREA.

SWL: 5,000 LBS / 2,268 Kg
MBS: 15,000 LBS / 6,804 Kg

WEIGHT: 2.04 LBS / 0.93 Kg

MODEL 2902-2778
CHAIN TIE-DOWN ANCHOR



STAINLESS STEEL COVER PLATE, ALLOY STEEL CLEVIS PINS (2 PCS), STAINLESS STEEL COTTER PINS (2 PCS), 3/8" (10 MM) ALLOY STEEL GR 70 CHAIN

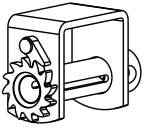
FINISH: HDG
WEIGHT: 5.87 LBS / 2.66 Kg

WORKING LOAD LIMIT (WLL): 5,400 LBS / 2,449 Kg

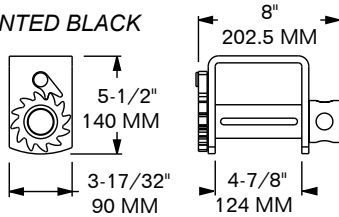
FLATBED & FLATRACK WINCHES

MODEL 2903-2691

**WELD-ON
STANDARD**



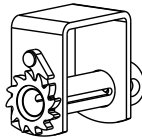
PAINTED BLACK



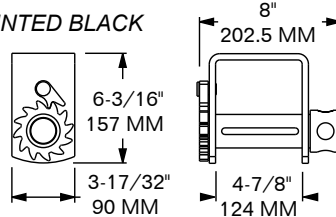
SUB FOR: ANCRA 43563-10, KINEDYNE 1820, MULTIPRENS 1160
WEIGHT: 8.30 LBS / 3.76 Kg

MODEL 2903-2692

**WELD-ON
STORAGE**



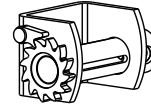
PAINTED BLACK



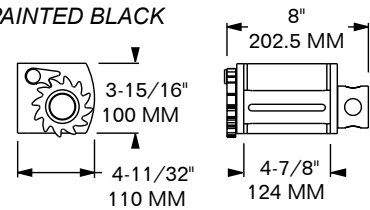
SUB FOR: ANCRA 43573-10, KINEDYNE 1820S
WEIGHT: 8.85 LBS / 4.01 Kg

MODEL 2903-2693

**WELD-ON
SIDE MOUNT**



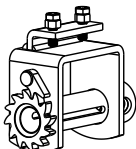
PAINTED BLACK



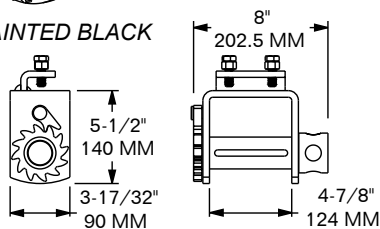
SUB FOR: ANCRA 43579-20, KINEDYNE 7820, MULTIPRENS 1165
WEIGHT: 7.54 LBS / 3.42 Kg

MODEL 2903-2694

**BOLT-ON
STANDARD**



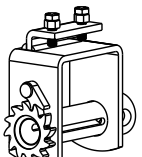
PAINTED BLACK



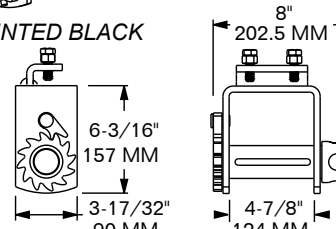
SUB FOR: ANCRA 43564-14, KINEDYNE 1820 P2, MULTIPRENS 1660
WEIGHT: 8.95 LBS / 4.06 Kg

MODEL 2903-2695

**BOLT-ON
STORAGE**



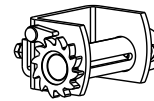
PAINTED BLACK



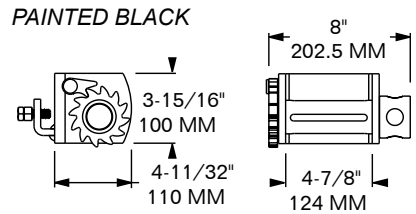
SUB FOR: ANCRA 43564-12
WEIGHT: 9.95 LBS / 4.51 Kg

MODEL 2903-2696

**BOLT-ON
SIDE MOUNT**



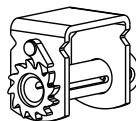
PAINTED BLACK



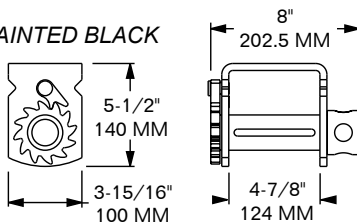
SUB FOR: ANCRA 43564-16, KINEDYNE 7820 P2, MULTIPRENS 1665
WEIGHT: 9.30 LBS / 4.22 Kg

MODEL 2903-2697

**SLIDER
STANDARD**



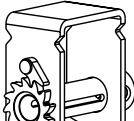
PAINTED BLACK



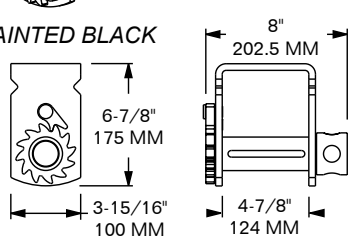
SUB FOR: ANCRA 43565-15, KINEDYNE 3820, MULTIPRENS 1760
WEIGHT: 8.20 LBS / 3.72 Kg

MODEL 2903-2698

**SLIDER
STORAGE**



PAINTED BLACK



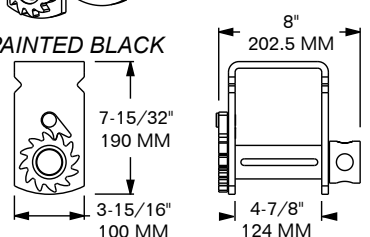
WEIGHT: 11.00 LBS / 4.99 Kg

MODEL 2903-2699

**SLIDER
DEEP STORAGE**



PAINTED BLACK



SUB FOR: ANCRA 43565-12, KINEDYNE 5820, MULTIPRENS 1765
WEIGHT: 10.60 LBS / 4.81 Kg

NOTE: FOR LOAD SECURING ONLY, **NOT FOR LIFTING.**
ALL WINCH AND STRAP ASSEMBLIES SHOULD BE INSPECTED FOR FRAYS, CUTS, OR DAMAGED HARDWARE BEFORE AND AFTER USING.

WORKING LOAD LIMIT (WLL): 5,000 LBS / 2,267 Kg
BREAK STRENGTH (BS): 15,000 LBS / 6,800 Kg
DESIGNED TO MEET OR EXCEED WSTDA T-3 STANDARD.

BUFFERS USA

Securing Your Containers. Protecting Your Cargo.
At Sea. Over Land. On Rail.™

Sales@BuffersUSA.com • www.BuffersUSA.com • 904.696.0010

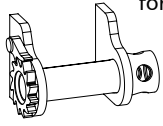
HOME OFFICE: 10180 New Berlin Road • Jacksonville, FL 32226

WAREHOUSES: Jacksonville, FL • Houston, TX • Detroit, MI • Los Angeles, CA

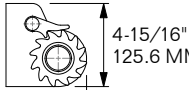
FLATBED & FLATRACK WINCH RAILS

MODEL 2903-2798

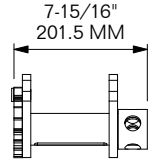
WEB WINCH, LEG BRACKET
for 4" webbing, Side Mount,
Weld-on



PAINTED BLACK



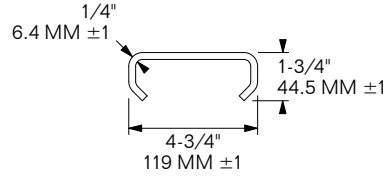
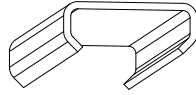
4-15/16"
125.6 MM



7-15/16"
201.5 MM

4-21/32"
118.4 MM

4-25/32"
121.75 MM



RAIL FOR SLIDING WINCHES

MODEL 2903-2471

LENGTH: 19-1/2" / 495.3 MM
WEIGHT: 11.4 LBS / 5.2 Kg

MODEL 2903-2472

LENGTH: 21-1/2" / 546 MM
WEIGHT: 11.4 LBS / 5.2 Kg

MODEL 2903-8753

LENGTH: 72" / 1,829 MM
WEIGHT: 41.4 LBS / 18.8 Kg

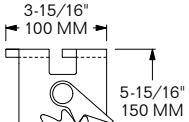
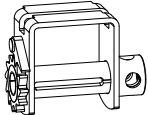
FITS: ISO FLATRACKS **SUB FOR:**
ANCRA 41691-12, KINEDYNE 12004
WEIGHT: 8.1 LBS / 3.67 Kg

MATERIAL: FAB. STEEL **FINISH:** SELF-COLOR

MODEL 2903-8665

WEB WINCH, SLIDER
w/ Double-L Track Cutout
for 4" webbing, Weld-on

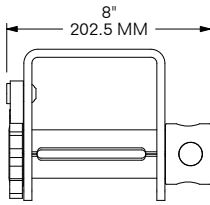
PAINTED BLACK



3-15/16"
100 MM

5-15/16"
150 MM

3-7/16"
87 MM



8"
202.5 MM

4-7/8"
124 MM

5/16"
8 MM

FITS: MANAC
SUB FOR: KINEDYNE 1020
WEIGHT: 8.7 LBS / 3.95 Kg

NOTE: FOR LOAD SECURING ONLY, **NOT FOR LIFTING.**
ALL WINCH AND STRAP ASSEMBLIES SHOULD BE
INSPECTED FOR FRAYS, CUTS, OR DAMAGED
HARDWARE BEFORE AND AFTER USING.

WORKING LOAD LIMIT (WLL): 5,000 LBS / 2,267 Kg
BREAK STRENGTH (BS): 15,000 LBS / 6,800 Kg
DESIGNED TO MEET OR EXCEED WSTDA T-3 STANDARD.

BUFFERS USA

Securing Your Containers. Protecting Your Cargo.
At Sea. Over Land. On Rail.™

Sales@BuffersUSA.com • www.BuffersUSA.com • 904.696.0010

HOME OFFICE: 10180 New Berlin Road • Jacksonville, FL 32226

WAREHOUSES: Jacksonville, FL • Houston, TX • Detroit, MI • Los Angeles, CA

FLATBED & FLATRACK WINCH BARS

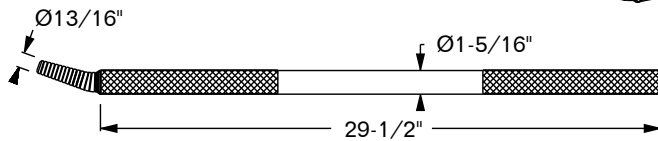
MODEL 2903-2700

STANDARD

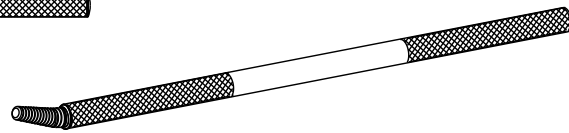
HIGH-STRENGTH TIP

GROOVED TIP
FOR BETTER GRIP

KNURLED HANDLE GRIPS



CHROME-PLATED



NOT TO BE USED AS A CHEATER BAR
TO TIGHTEN CHAIN LOAD BINDERS

SUB FOR: ANCRA 42313-17,
MULTIPRENS 4101, KINEDYNE 37031
MATERIAL: STEEL
FINISH: CHROME
WEIGHT: 4.98 LBS / 2.26 Kg

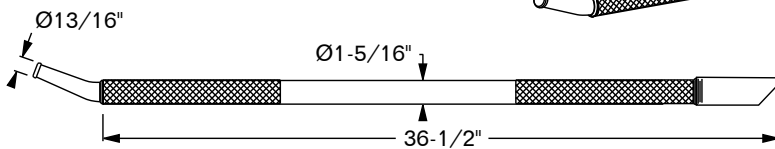
MODEL 2903-6339-B

MODEL 2903-6339-C

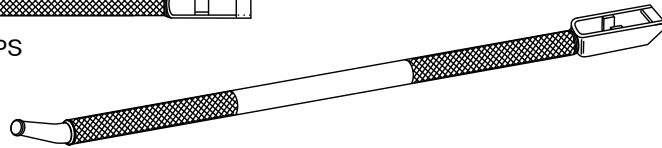
COMBINATION BOX END

HIGH-STRENGTH TIP

KNURLED HANDLE GRIPS



AVAILABLE BLACK-PAINTED OR CHROME-PLATED



SUB FOR: KINEDYNE 10032 BL, 10033 CH
ANCRA 42313-12 BL;
MULTIPRENS 4001 CH, 4003 BL
MATERIAL: STEEL
FINISH: BLACK (B) OR CHROME (C)
WEIGHT: 6.75 LBS / 3.06 Kg

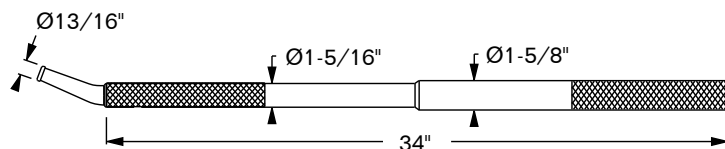
MODEL 2903-6345-B

MODEL 2903-6345-C

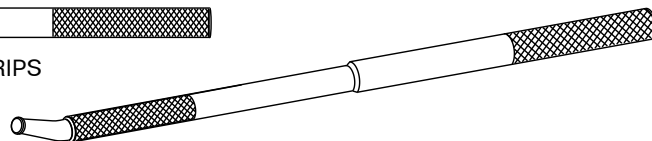
COMBINATION

HIGH-STRENGTH TIP

KNURLED HANDLE GRIPS



AVAILABLE BLACK-PAINTED OR CHROME-PLATED



SUB FOR: ANCRA 42313-19 CH,
42313-20 BL; KINEDYNE 37033 CH
MATERIAL: STEEL
FINISH: BLACK (B) OR CHROME (C)
WEIGHT: 7.45 LBS / 3.38 Kg

BUFFERS USA 

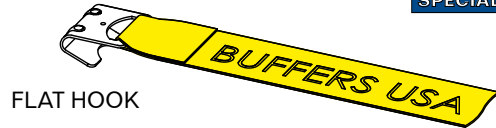
Securing Your Containers. Protecting Your Cargo.
At Sea. Over Land. On Rail.™

Sales@BuffersUSA.com • www.BuffersUSA.com • 904.696.0010

HOME OFFICE: 10180 New Berlin Road • Jacksonville, FL 32226

WAREHOUSES: Jacksonville, FL • Houston, TX • Detroit, MI • Los Angeles, CA

FLATBED & FLATRACK WINCH STRAPS & ASSEMBLIES



FLAT HOOK

STANDARD

WORKING LOAD LIMIT (WLL): 5,000 LBS / 2,267 Kg
BREAK STRENGTH (BS): 15,000 LBS / 6,804 Kg

HEAVY DUTY (-HD)

WORKING LOAD LIMIT (WLL): 5,400 LBS / 2,450 Kg
BREAK STRENGTH (BS): 16,200 LBS / 7,350 Kg

4" x 27' w/ FLAT HOOK MODEL 2904-2805

SUB FOR: ANCRA 43795-10-27P, KINEDYNE 422721, MULTIPRENS 2042-27

SPECIAL ORDER ONLY 4" x 27' w/ FLAT HOOK MODEL 2904-2805-HD

4" x 30' w/ FLAT HOOK MODEL 2904-2806

4" x 30' w/ FLAT HOOK MODEL 2904-2806-HD

SUB FOR: ANCRA 43795-10-30P, KINEDYNE 423021, MULTIPRENS 2042-30

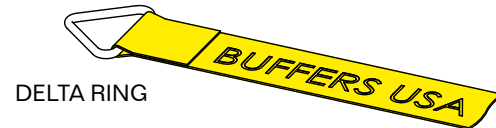
4" x 34' w/ FLAT HOOK MODEL 2904-6043

4" x 40' w/ FLAT HOOK MODEL 2904-6004-HD

SPECIAL ORDER ONLY 6005-HD & 6007

4" x 50' w/ FLAT HOOK MODEL 2904-6005-HD

4" x 73' w/ FLAT HOOK MODEL 2904-6007



DELTA RING

WORKING LOAD LIMIT (WLL): 5,400 LBS / 2,450 Kg
BREAK STRENGTH (BS): 16,200 LBS / 7,350 Kg

4" x 27' w/ DELTA RING MODEL 2904-2807

SUB FOR: ANCRA 43795-11-27P, KINEDYNE 422710, MULTIPRENS 2041-27

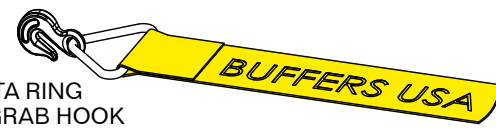
4" x 30' w/ DELTA RING MODEL 2904-2808

SUB FOR: ANCRA 43795-11-30P, KINEDYNE 423010, MULTIPRENS 2041-30

4" x 34' w/ DELTA RING MODEL 2904-2849

SPECIAL ORDER ONLY 4" x 40' w/ DELTA RING (white strap) MODEL 2904-6425

SPECIAL ORDER ONLY 4" x 73' w/ DELTA RING (white strap) MODEL 2904-6426



DELTA RING
w/ GRAB HOOK

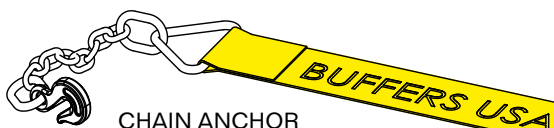
WORKING LOAD LIMIT (WLL): 5,400 LBS / 2,450 Kg
BREAK STRENGTH (BS): 16,200 LBS / 7,350 Kg

4" x 27' w/ GRAB HOOK MODEL 2904-2809

SUB FOR: ANCRA 43795-14-27P, KINEDYNE 422750, MULTIPRENS 2044-27

4" x 30' w/ GRAB HOOK MODEL 2904-2810

SUB FOR: ANCRA 43795-14-30P, KINEDYNE 423050, MULTIPRENS 2044-30



CHAIN ANCHOR

WORKING LOAD LIMIT (WLL): 5,400 LBS / 2,450 Kg
BREAK STRENGTH (BS): 16,200 LBS / 7,350 Kg

3" x 30' w/ CHAIN ANCHOR MODEL 2904-6820

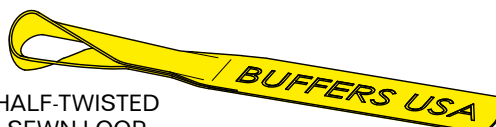
SUB FOR: ANCRA 41660-14-30P, KINEDYNE 323040

4" x 27' w/ CHAIN ANCHOR MODEL 2904-2811

SUB FOR: ANCRA 43795-15-27P, KINEDYNE 422740, MULTIPRENS 2043-27

4" x 30' w/ CHAIN ANCHOR MODEL 2904-2812

SUB FOR: ANCRA 43795-15-30P, KINEDYNE 423040, MULTIPRENS 2043-30



HALF-TWISTED
SEWN LOOP

WORKING LOAD LIMIT (WLL): 5,000 LBS / 2,267 Kg
BREAK STRENGTH (BS): 16,200 LBS / 7,350 Kg

4" x 27' w/ SEWN LOOP MODEL 2904-2813

SUB FOR: ANCRA 43795-13-27, KINEDYNE 422730, MULTIPRENS 2040-27

4" x 30' w/ SEWN LOOP MODEL 2904-2814

SUB FOR: ANCRA 43795-13-30, KINEDYNE 423030, MULTIPRENS 2040-30



4" x 5' w/ FLAT CONTAINER HOOK MODEL 2904-6079

FOR ROLL-OFF REFUSE CONTAINERS

WORKING LOAD LIMIT (WLL): 5,400 LBS / 2,450 Kg
BREAK STRENGTH (BS): 16,200 LBS / 7,350 Kg

SUB FOR: ANCRA 49526-10,
KINEDYNE 15435

NOTE: FOR LOAD SECURING ONLY, **NOT FOR LIFTING.** ALL WINCH AND STRAP ASSEMBLIES SHOULD BE INSPECTED FOR FRAYS, CUTS, OR DAMAGED HARDWARE BEFORE AND AFTER USING. DESIGNED TO MEET OR EXCEED WSTDA T-1 STANDARD.

BUFFERS USA

Securing Your Containers. Protecting Your Cargo.
At Sea. Over Land. On Rail.™

Sales@BuffersUSA.com • www.BuffersUSA.com • 904.696.0010

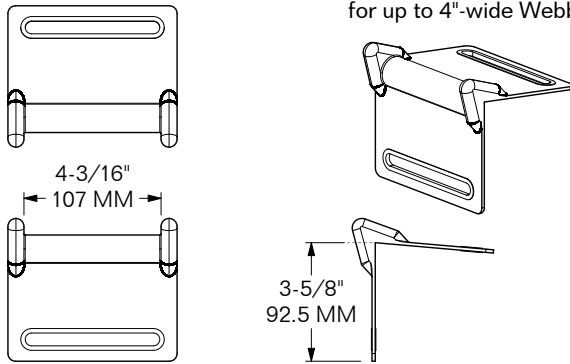
HOME OFFICE: 10180 New Berlin Road • Jacksonville, FL 32226

WAREHOUSES: Jacksonville, FL • Houston, TX • Detroit, MI • Los Angeles, CA

FLATBED/FLATRACK CORNER & WEBBING PROTECTORS

MODEL 2904-6094

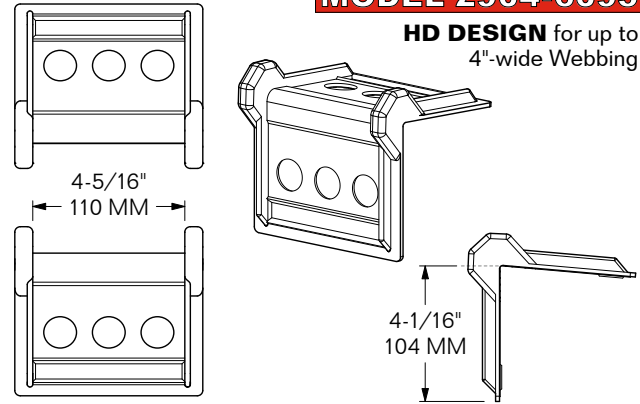
for up to 4"-wide Webbing



MATERIAL: PLASTIC **COLOR:** WHITE
WEIGHT: 0.16 LBS / 0.072 Kg

MODEL 2904-6095

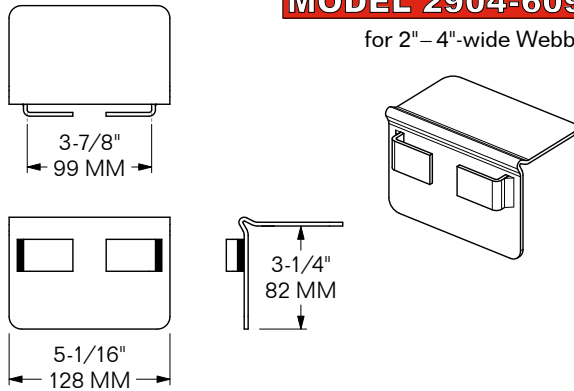
HD DESIGN for up to 4"-wide Webbing



MATERIAL: PLASTIC **COLOR:** ORANGE
WEIGHT: 0.23 LBS / 0.105 Kg

MODEL 2904-6096

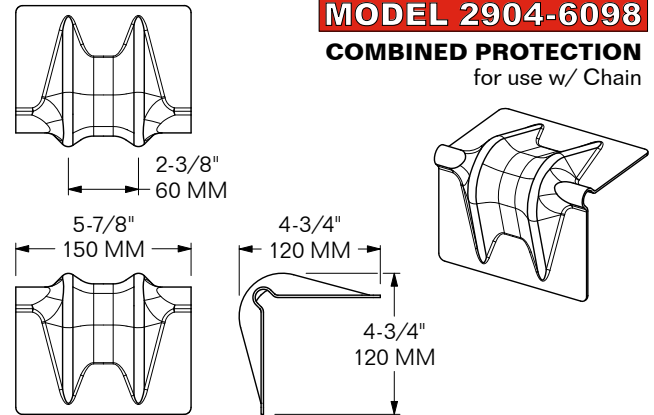
for 2"-4"-wide Webbing



MATERIAL: STEEL **FINISH:** ZINC-PLATED
WEIGHT: 1.2 LBS / 0.54 Kg

MODEL 2904-6098

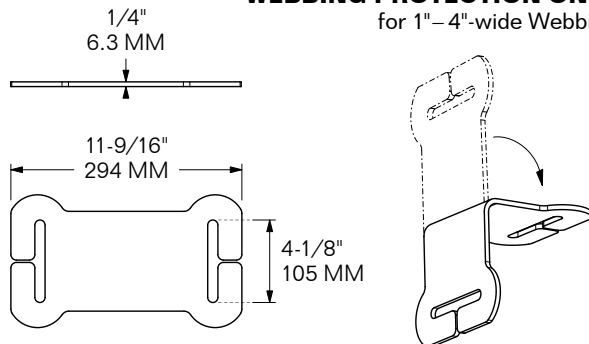
COMBINED PROTECTION
for use w/ Chain



MATERIAL: STEEL **FINISH:** ZINC-PLATED
WEIGHT: 1.1 LBS / 0.5 Kg

MODEL 2904-6099

WEBBING PROTECTION ONLY
for 1"-4"-wide Webbing



MATERIAL: BLACK RUBBER **FINISH:** SELF-COLOR
WEIGHT: 0.68 LBS / 0.31 Kg

BUFFERS USA

Securing Your Containers. Protecting Your Cargo.
At Sea. Over Land. On Rail.™

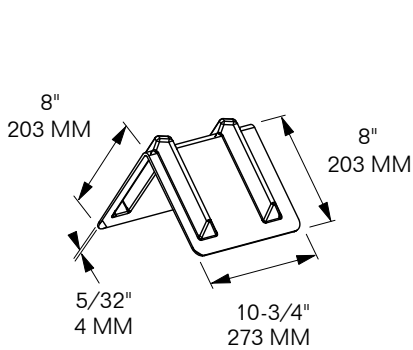
Sales@BuffersUSA.com • www.BuffersUSA.com • 904.696.0010

HOME OFFICE: 10180 New Berlin Road • Jacksonville, FL 32226

WAREHOUSES: Jacksonville, FL • Houston, TX • Detroit, MI • Los Angeles, CA

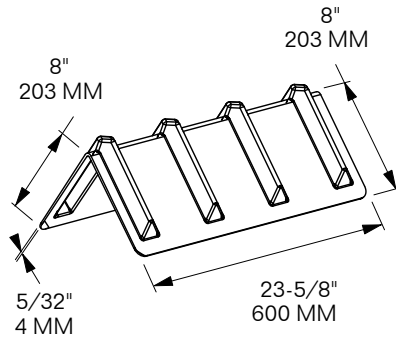
FLATBED/FLATRACK CORNER & WEBBING PROTECTORS

MODEL 2904-7175-11
STANDARD DUTY



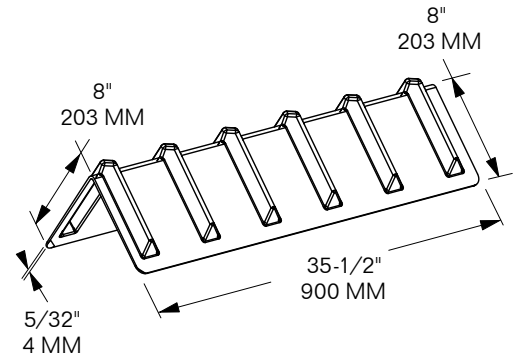
COLOR: BLUE
WEIGHT: 1 LB / 0.45 Kg
MATERIAL: HDPE

MODEL 2904-7175-24
STANDARD DUTY



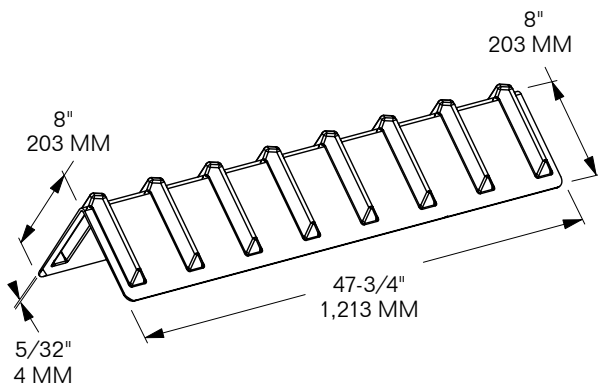
COLOR: BLUE
WEIGHT: 2.12 LBS / 0.96 Kg
MATERIAL: HDPE

MODEL 2904-7175-36
STANDARD DUTY



COLOR: BLUE
WEIGHT: 3.38 LBS / 1.53 Kg
MATERIAL: HDPE

MODEL 2904-7175-48
STANDARD DUTY

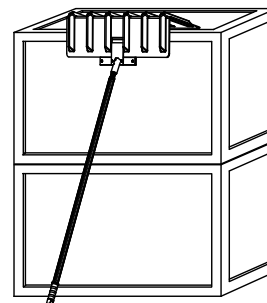


COLOR: BLUE
WEIGHT: 4.97 LBS / 2.25 Kg
MATERIAL: HDPE

MODEL 2904-6802
CORNER PROTECTOR PLACEMENT TOOL

MODEL 2904-6803
GRABBER HEAD

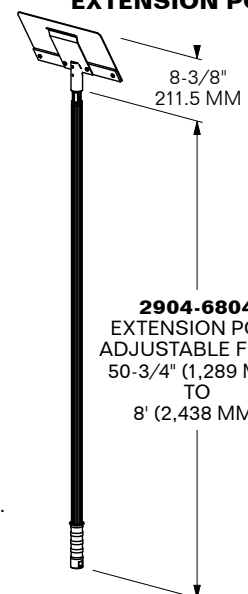
MODEL 2904-6804
EXTENSION POLE



SHOWN PLACING
CORNER PROTECTOR

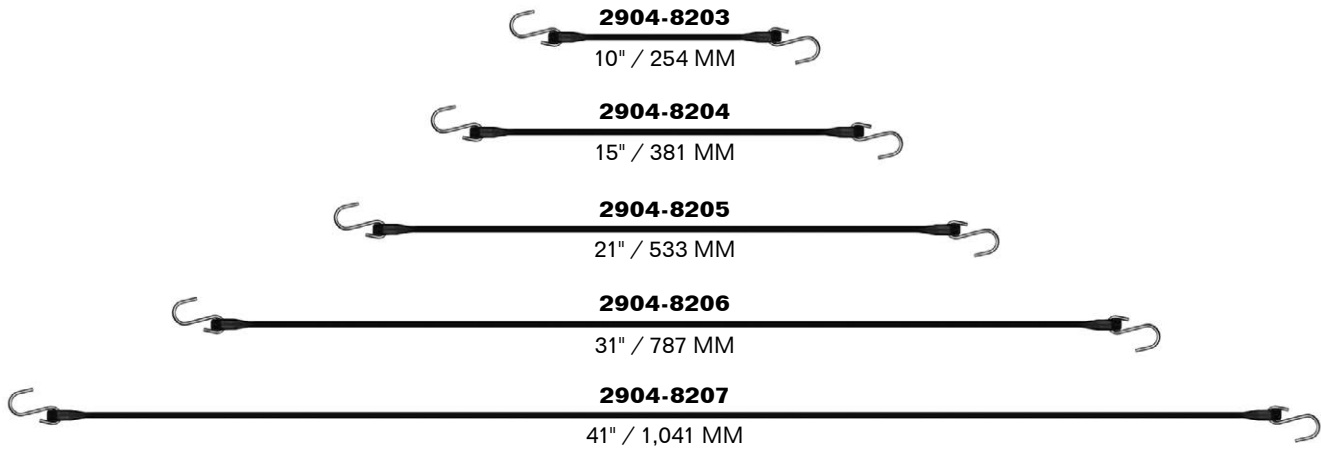
2904-6802
PLACEMENT TOOL CONSISTS OF
2904-6803 GRABBER HEAD
AND **2904-6804** EXTENSION POLE.

2904-6803 AND **2904-6804**
ARE ALSO SOLD SEPARATELY.

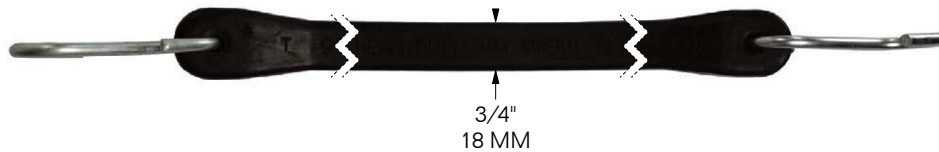


2904-6804
EXTENSION POLE
ADJUSTABLE FROM
50-3/4" (1,289 MM)
TO
8' (2,438 MM)

TARP STRAPS w/ S-HOOKS



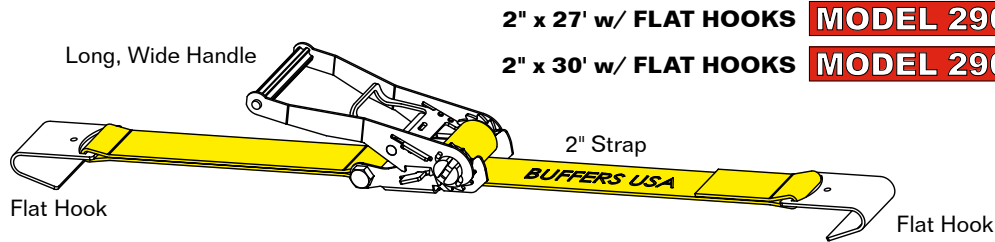
	MODEL	NOMINAL LENGTH	INSTALLED MAX. LENGTH	WEIGHT
SPECIAL ORDER ONLY	2904-8203	10" / 254 MM	15" / 381 MM	0.04 LBS / 0.02 Kg
SPECIAL ORDER ONLY	2904-8204	15" / 381 MM	23" / 584 MM	0.22 LBS / 0.1 Kg
	2904-8205	21" / 533 MM	32" / 813 MM	0.25 LBS / 0.11 Kg
SPECIAL ORDER ONLY	2904-8206	31" / 787 MM	36" / 914 MM	0.3 LBS / 0.14 Kg
SPECIAL ORDER ONLY	2904-8207	41" / 1,041 MM	62" / 1,575 MM	0.4 LBS / 0.18 Kg



- Reinforced Ends for added strength
- Zinc-plated Hooks
- Not designed for Load Securing

MATERIAL: EPDM SYNTHETIC RUBBER **FINISH:** BLACK
PACKAGING: 50 PCS./BAG & 2 BAGS/CARTON

RATCHET STRAP ASSEMBLIES

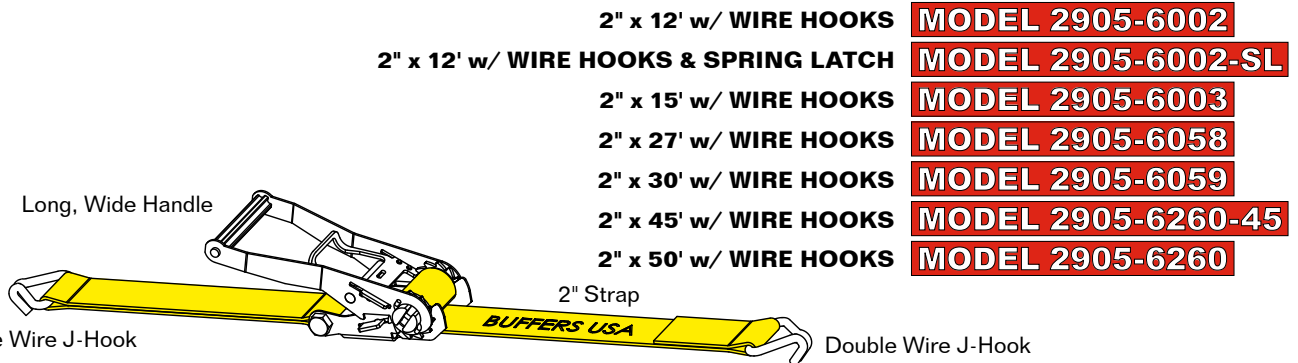


2" x 27' w/ FLAT HOOKS **MODEL 2905-6056**

2" x 30' w/ FLAT HOOKS **MODEL 2905-6057**

SUB 2905-6056 FOR: ANCRA 45982-10, KINEDYNE 512720, MULTIPRENS 5822-27
SUB 2905-6057 FOR: ANCRA 45982-11, KINEDYNE 513020, MULTIPRENS 5822-30

STRAP COLOR: YELLOW



2" x 12' w/ WIRE HOOKS **MODEL 2905-6002**

2" x 12' w/ WIRE HOOKS & SPRING LATCH **MODEL 2905-6002-SL**

2" x 15' w/ WIRE HOOKS **MODEL 2905-6003**

2" x 27' w/ WIRE HOOKS **MODEL 2905-6058**

2" x 30' w/ WIRE HOOKS **MODEL 2905-6059**

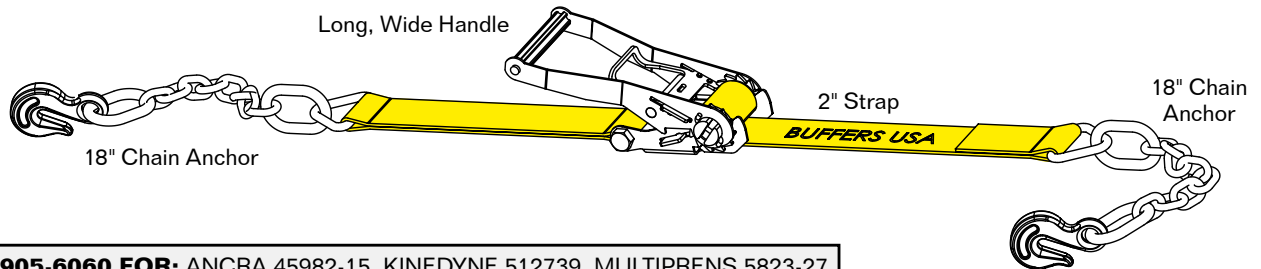
2" x 45' w/ WIRE HOOKS **MODEL 2905-6260-45**

2" x 50' w/ WIRE HOOKS **MODEL 2905-6260**

SUB 2905-6058 FOR: ANCRA 45982-45, KINEDYNE 512784, MULTIPRENS 5826-27
SUB 2905-6059 FOR: ANCRA 45982-43, KINEDYNE 513084, MULTIPRENS 5826-30

SPECIAL ORDER ONLY **2" x 27' w/ CHAIN ANCHORS** **MODEL 2905-6060**

2" x 30' w/ CHAIN ANCHORS **MODEL 2905-6061**



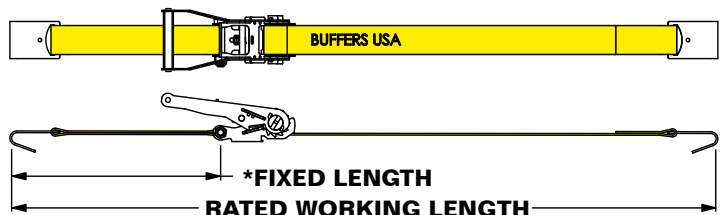
SUB 2905-6060 FOR: ANCRA 45982-15, KINEDYNE 512739, MULTIPRENS 5823-27
SUB 2905-6061 FOR: ANCRA 45982-34, KINEDYNE 513039, MULTIPRENS 5823-30

STRAP COLOR: YELLOW

WORKING LOAD LIMIT (WLL): 3,333 LBS / 1,511 Kg
BREAK STRENGTH (BS): 10,000 LBS / 4,535 Kg

NOTE:
 FOR LOAD SECURING ONLY, NOT FOR LIFTING.
 ALL RATCHET STRAP ASSEMBLIES SHOULD BE
 INSPECTED FOR FRAYS, CUTS, OR DAMAGED
 HARDWARE BEFORE AND AFTER USING.

DESIGNED TO MEET OR EXCEED WSTDA T-4 STANDARD.
 COMPLIES WITH DOT AND CA HIGHWAY PATROL TITLE 13.



*FIXED LENGTH 18" EXCEPT
 w/ CHAIN ANCHOR 33"

BUFFERS USA

Securing Your Containers. Protecting Your Cargo.
 At Sea. Over Land. On Rail.™

Sales@BuffersUSA.com • www.BuffersUSA.com • 904.696.0010

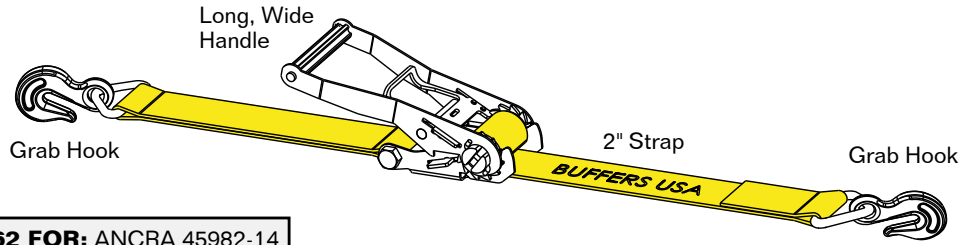
HOME OFFICE: 10180 New Berlin Road • Jacksonville, FL 32226

WAREHOUSES: Jacksonville, FL • Houston, TX • Detroit, MI • Los Angeles, CA

RATCHET STRAP ASSEMBLIES

2" x 27' w/ GRAB HOOKS **MODEL 2905-6062**

SPECIAL ORDER ONLY 2" x 30' w/ GRAB HOOKS **MODEL 2905-6063**

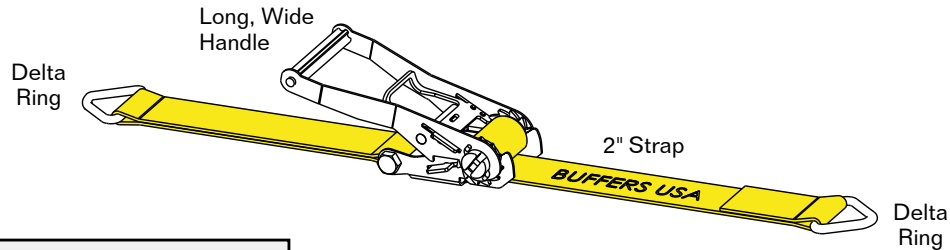


SUB 2905-6062 FOR: ANCRA 45982-14
SUB 2905-6063 FOR: ANCRA 45982-34

STRAP COLOR: YELLOW

2" x 27' w/ DELTA RINGS **MODEL 2905-6064**

2" x 30' w/ DELTA RINGS **MODEL 2905-6065**

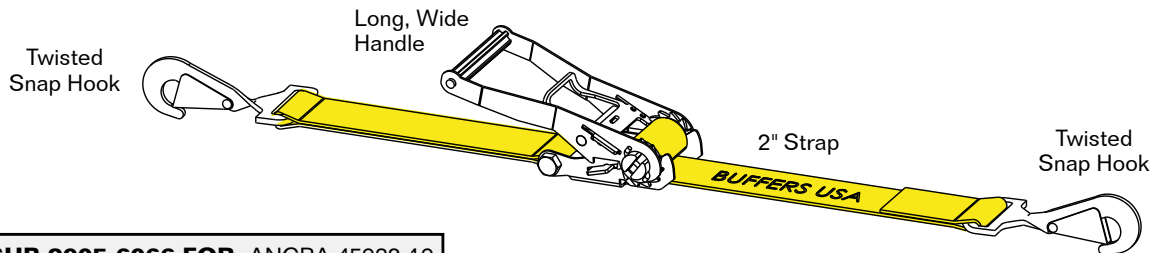


SUB 2905-6064 FOR: ANCRA 45982-16
SUB 2905-6065 FOR: ANCRA 45982-35

STRAP COLOR: YELLOW

SPECIAL ORDER ONLY 2" x 27' w/ SNAP HOOKS **MODEL 2905-6066**

2" x 30' w/ SNAP HOOKS **MODEL 2905-6067**



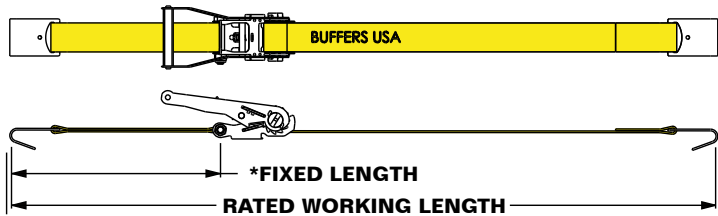
SUB 2905-6066 FOR: ANCRA 45982-19
SUB 2905-6067 FOR: ANCRA 45982-36

STRAP COLOR: YELLOW

WORKING LOAD LIMIT (WLL): 3,333 LBS / 1,511 Kg
BREAK STRENGTH (BS): 10,000 LBS / 4,535 Kg

NOTE:
 FOR LOAD SECURING ONLY, NOT FOR LIFTING.
 ALL RATCHET STRAP ASSEMBLIES SHOULD BE
 INSPECTED FOR FRAYS, CUTS, OR DAMAGED
 HARDWARE BEFORE AND AFTER USING.

DESIGNED TO MEET OR EXCEED WSTDA T-4 STANDARD.
 COMPLIES WITH DOT AND CA HIGHWAY PATROL TITLE 13.



*FIXED LENGTH 18" EXCEPT
 w/ CHAIN ANCHOR 33"

BUFFERS USA

Securing Your Containers. Protecting Your Cargo.
 At Sea. Over Land. On Rail.™

Sales@BuffersUSA.com • www.BuffersUSA.com • 904.696.0010

HOME OFFICE: 10180 New Berlin Road • Jacksonville, FL 32226

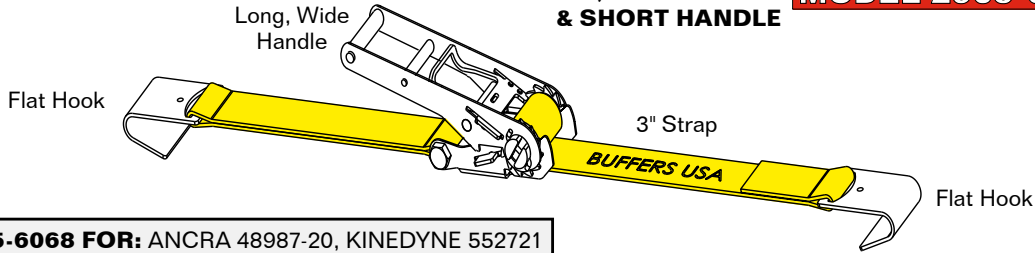
WAREHOUSES: Jacksonville, FL • Houston, TX • Detroit, MI • Los Angeles, CA

RATCHET STRAP ASSEMBLIES

3" x 27' w/ FLAT HOOKS **MODEL 2905-6068**

3" x 30' w/ FLAT HOOKS **MODEL 2905-6069**

3" x 30' w/ FLAT HOOKS & SHORT HANDLE **MODEL 2905-6069-SHR**

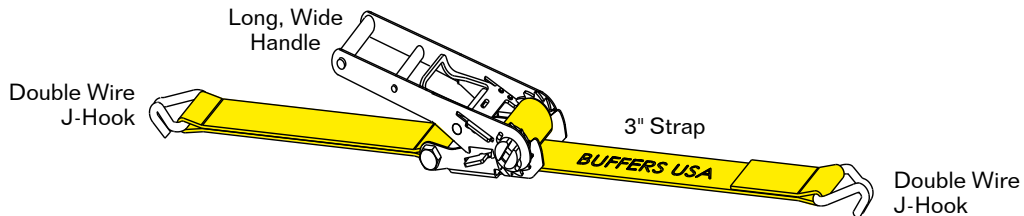


SUB 2905-6068 FOR: ANCRA 48987-20, KINEDYNE 552721
SUB 2905-6069 FOR: ANCRA 48987-21, KINEDYNE 553021

STRAP COLOR: YELLOW

SPECIAL ORDER ONLY **3" x 15' w/ WIRE HOOKS** **MODEL 2905-6070**

SPECIAL ORDER ONLY **3" x 30' w/ WIRE HOOKS** **MODEL 2905-6071**

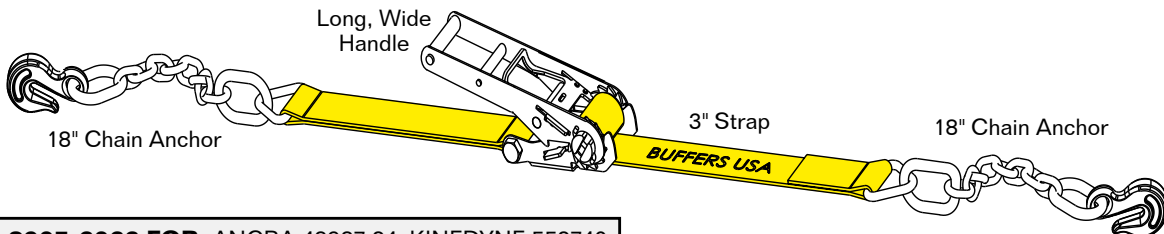


SUB 2905-6071 FOR: KINEDYNE 553036

STRAP COLOR: YELLOW

SPECIAL ORDER ONLY **3" x 27' w/ CHAIN ANCHORS** **MODEL 2905-6072**

SPECIAL ORDER ONLY **3" x 30' w/ CHAIN ANCHORS** **MODEL 2905-6073**



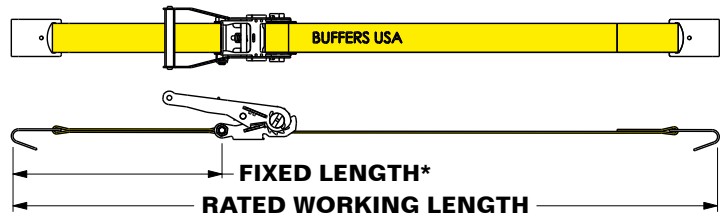
SUB 2905-6066 FOR: ANCRA 48987-24, KINEDYNE 552740
SUB 2905-6067 FOR: ANCRA 48987-25, KINEDYNE 553040

STRAP COLOR: YELLOW

WORKING LOAD LIMIT (WLL): 4,333 LBS / 1,965 Kg
BREAK STRENGTH (BS): 13,000 LBS / 5,896 Kg

NOTE:
 FOR LOAD SECURING ONLY, NOT FOR LIFTING.
 ALL RATCHET STRAP ASSEMBLIES SHOULD BE
 INSPECTED FOR FRAYS, CUTS, OR DAMAGED
 HARDWARE BEFORE AND AFTER USING.

DESIGNED TO MEET OR EXCEED WSTDA T-4 STANDARD.
 COMPLIES WITH DOT AND CA HIGHWAY PATROL TITLE 13.



*FIXED LENGTH 18" EXCEPT
 w/ CHAIN ANCHOR 33"

BUFFERS USA

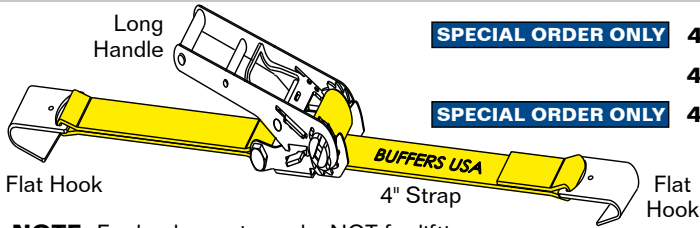
Securing Your Containers. Protecting Your Cargo.
 At Sea. Over Land. On Rail.™

Sales@BuffersUSA.com • www.BuffersUSA.com • 904.696.0010

HOME OFFICE: 10180 New Berlin Road • Jacksonville, FL 32226

WAREHOUSES: Jacksonville, FL • Houston, TX • Detroit, MI • Los Angeles, CA

RATCHET STRAP ASSEMBLIES

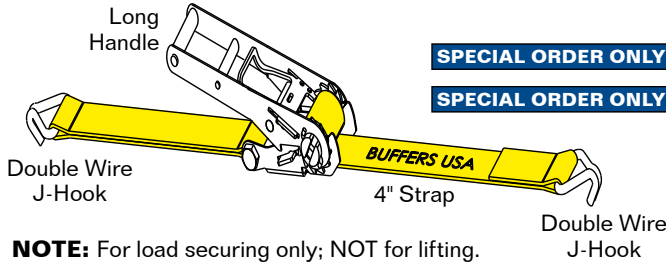


- SPECIAL ORDER ONLY** 4" x 27' w/ FLAT HOOKS **MODEL 2905-6080**
- 4" x 30' w/ FLAT HOOKS **MODEL 2905-6081**
- SPECIAL ORDER ONLY** 4" x 40' w/ FLAT HOOKS **MODEL 2905-6081-40**

WORKING LOAD LIMIT (WLL): 5,400 LBS / 2,449 Kg
BREAK STRENGTH (BS): 16,200 LBS / 7,348 Kg
STRAP COLOR: YELLOW

NOTE: For load securing only; NOT for lifting. All ratchet strap assemblies should be inspected for frays, cuts or damaged hardware before AND after using.

SUB 2905-6080 FOR: ANCRA 49346-10, KINEDYNE 592721
SUB 2905-6081 FOR: ANCRA 49346-11, KINEDYNE 593021

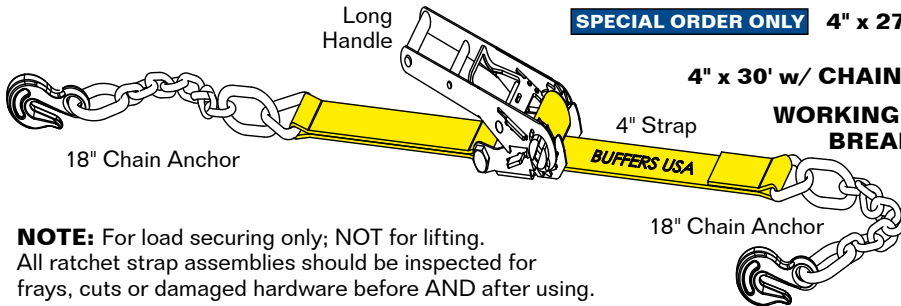


- SPECIAL ORDER ONLY** 4" x 27' w/ WIRE HOOKS **MODEL 2905-6082**
- 4" x 30' w/ WIRE HOOKS **MODEL 2905-6083-HD**
- SPECIAL ORDER ONLY** 4" x 40' w/ WIRE HOOKS **MODEL 2905-6082-40**
- SPECIAL ORDER ONLY** 4" x 50' w/ WIRE HOOKS **MODEL 2905-6082-50**
- 4" x 65' w/ WIRE HOOKS **MODEL 2905-6082-65**

WORKING LOAD LIMIT (WLL): 6,667 LBS / 3,030 Kg
BREAK STRENGTH (BS): 20,000 LBS / 9,090 Kg
STRAP COLOR: YELLOW

NOTE: For load securing only; NOT for lifting. All ratchet strap assemblies should be inspected for frays, cuts or damaged hardware before AND after using.

SUB 2905-6082 FOR: ANCRA 49346-12, KINEDYNE 592736
SUB 2905-6083 FOR: ANCRA 49346-13, KINEDYNE 593036



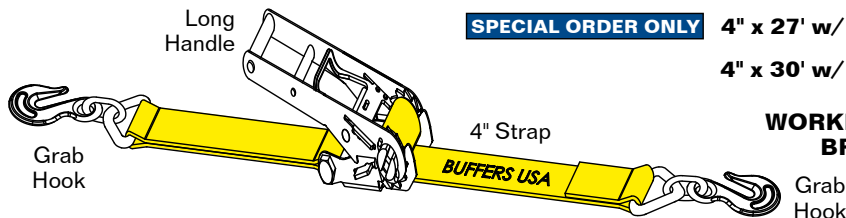
- SPECIAL ORDER ONLY** 4" x 27' w/ CHAIN ANCHORS **MODEL 2905-6084**
- 4" x 30' w/ CHAIN ANCHORS **MODEL 2905-6085**

WORKING LOAD LIMIT (WLL): 5,400 LBS / 2,449 Kg
BREAK STRENGTH (BS): 16,200 LBS / 7,348 Kg

NOTE: For load securing only; NOT for lifting. All ratchet strap assemblies should be inspected for frays, cuts or damaged hardware before AND after using.

STRAP COLOR: YELLOW

SUB 2905-6084 FOR: ANCRA 49346-14
SUB 2905-6085 FOR: ANCRA 49346-15



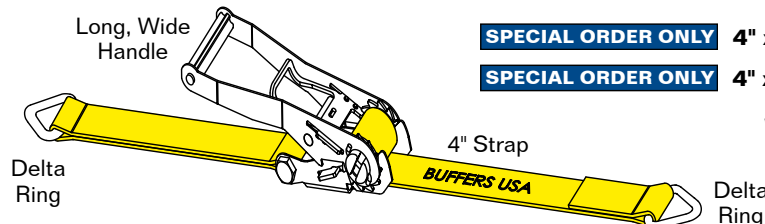
- SPECIAL ORDER ONLY** 4" x 27' w/ GRAB HOOKS **MODEL 2905-6086**
- 4" x 30' w/ GRAB HOOKS **MODEL 2905-6087**

WORKING LOAD LIMIT (WLL): 5,400 LBS / 2,449 Kg
BREAK STRENGTH (BS): 16,200 LBS / 7,348 Kg

NOTE: For load securing only; NOT for lifting. All ratchet strap assemblies should be inspected for frays, cuts or damaged hardware before AND after using.

STRAP COLOR: YELLOW

SUB 2905-6086 FOR: ANCRA 49346-16
SUB 2905-6087 FOR: ANCRA 49346-17



- SPECIAL ORDER ONLY** 4" x 27' w/ DELTA RINGS **MODEL 2905-6088**
- SPECIAL ORDER ONLY** 4" x 30' w/ DELTA RINGS **MODEL 2905-6089**

WORKING LOAD LIMIT (WLL): 6,666 LBS / 3,030 Kg
BREAK STRENGTH (BS): 20,000 LBS / 9,090 Kg

NOTE: For load securing only; NOT for lifting. All ratchet strap assemblies should be inspected for frays, cuts or damaged hardware before AND after using.

STRAP COLOR: YELLOW

SUB 2905-6088 FOR: ANCRA 49246-16
SUB 2905-6089 FOR: ANCRA 49246-17



Securing Your Containers. Protecting Your Cargo.
 At Sea. Over Land. On Rail.™

Sales@BuffersUSA.com • www.BuffersUSA.com • 904.696.0010

HOME OFFICE: 10180 New Berlin Road • Jacksonville, FL 32226

WAREHOUSES: Jacksonville, FL • Houston, TX • Detroit, MI • Los Angeles, CA

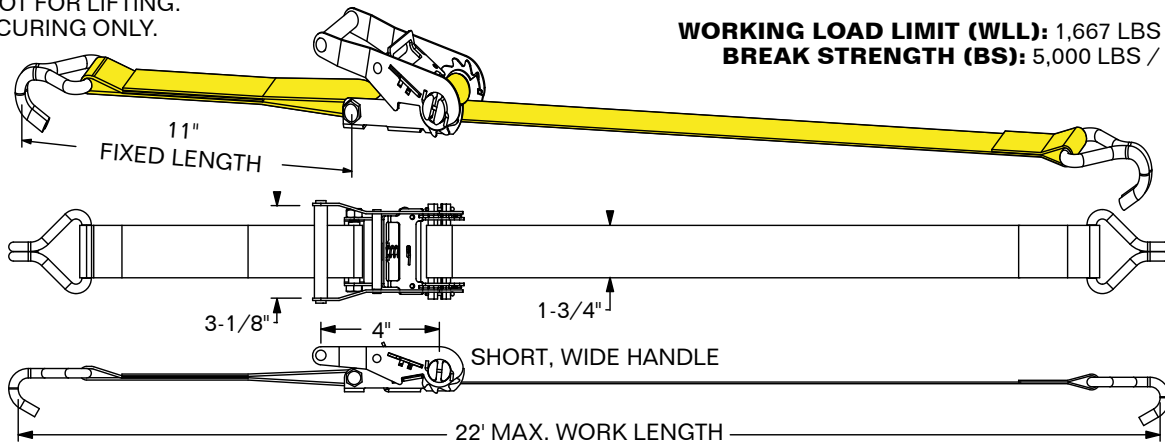
RATCHET/UTILITY STRAP ASSEMBLIES

RATCHET STRAP ASSEMBLY

NOTE: NOT FOR LIFTING.
LOAD SECURING ONLY.

1-3/4" x 22' w/ WIRE HOOKS **MODEL 2905-1900**

WORKING LOAD LIMIT (WLL): 1,667 LBS / 756 Kg
BREAK STRENGTH (BS): 5,000 LBS / 2,268 Kg



WEIGHT: 2.6 LBS / 1.2 Kg **STRAP COLOR:** YELLOW

RATCHET STRAP ASSEMBLY

NOTE: NOT FOR LIFTING. LOAD SECURING ONLY.

1" x 7' w/ S-HOOKS **MODEL 2905-6010**

1" x 16' w/ S-HOOKS **MODEL 2905-6011**

WORKING LOAD LIMIT (WLL): 400 LBS / 181 Kg
BREAK STRENGTH (BS): 1,200 LBS / 544 Kg

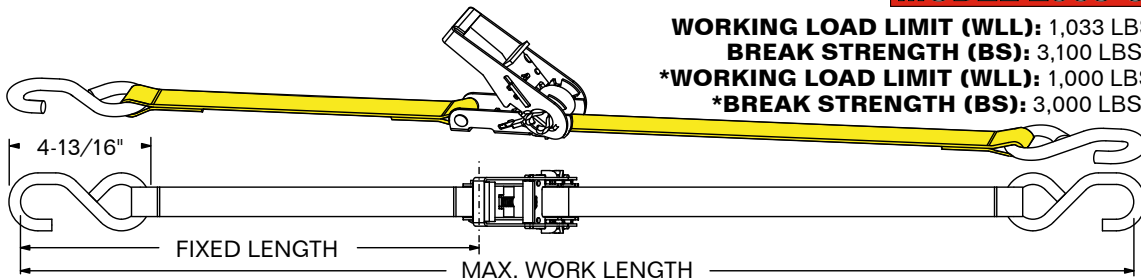
1" x 7' w/ S-HOOKS **MODEL 2909-6014**

1" x 10' w/ S-HOOKS **MODEL 2905-6016-10**

***1" x 15' w/ S-HOOKS** **MODEL 2905-6016-15**

1" x 20' w/ S-HOOKS **MODEL 2905-6016-20**

WORKING LOAD LIMIT (WLL): 1,033 LBS / 467 Kg
BREAK STRENGTH (BS): 3,100 LBS / 1,406 Kg
***WORKING LOAD LIMIT (WLL):** 1,000 LBS / 454 Kg
***BREAK STRENGTH (BS):** 3,000 LBS / 1,360 Kg



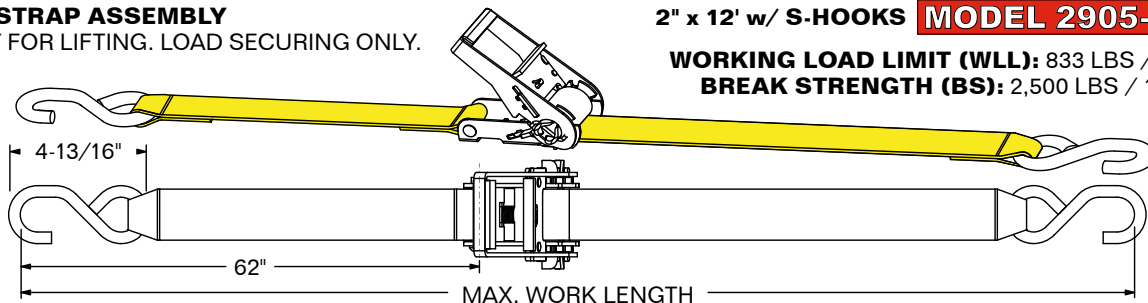
MODEL 2905-6010 WEIGHT: 1.3 LBS / 0.58 Kg **FIXED LENGTH:** 12" **STRAP COLOR:** YELLOW
MODEL 2905-6011 WEIGHT: 1.4 LBS / 0.64 Kg **FIXED LENGTH:** 18" **STRAP COLOR:** BLUE
MODEL 2909-6014 WEIGHT: 1.8 LBS / 0.81 Kg **FIXED LENGTH:** 15" **STRAP COLOR:** ORANGE
MODEL 2905-6016-10 WEIGHT: 1.9 LBS / 0.86 Kg **FIXED LENGTH:** 11" **STRAP COLOR:** YELLOW
MODEL 2905-6016-15 WEIGHT: 2 LBS / 0.91 Kg **FIXED LENGTH:** 16" **STRAP COLOR:** YELLOW
MODEL 2905-6016-20 WEIGHT: 2.1 LBS / 0.95 Kg **FIXED LENGTH:** 21" **STRAP COLOR:** YELLOW

RATCHET STRAP ASSEMBLY

NOTE: NOT FOR LIFTING. LOAD SECURING ONLY.

2" x 12' w/ S-HOOKS **MODEL 2905-7642**

WORKING LOAD LIMIT (WLL): 833 LBS / 378 Kg
BREAK STRENGTH (BS): 2,500 LBS / 1,134 Kg



WEIGHT: 2.5 LBS / 1.13 Kg **FIXED LENGTH:** 62" **STRAP COLOR:** YELLOW

BUFFERS USA 

Securing Your Containers. Protecting Your Cargo.
At Sea. Over Land. On Rail.™

Sales@BuffersUSA.com • www.BuffersUSA.com • 904.696.0010

HOME OFFICE: 10180 New Berlin Road • Jacksonville, FL 32226

WAREHOUSES: Jacksonville, FL • Houston, TX • Detroit, MI • Los Angeles, CA

CAM BUCKLE STRAPS & ASSEMBLIES

SPECIAL ORDER ONLY

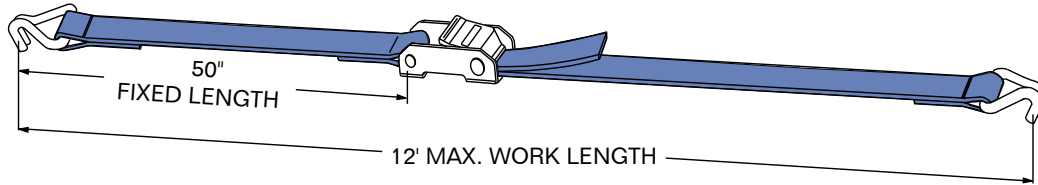
MODEL 2905-6013

CAM BUCKLE STRAP

1" x 14' w/ Wire Hooks & Web Buckle

WORKING LOAD LIMIT (WLL): 400 LBS / 185 Kg

BREAK STRENGTH (BS): 1,200 LBS / 544 Kg



SUB FOR: KINEDYNE 751281 **STRAP COLOR:** BLUE **WEIGHT:** 1.4 LBS / 0.64 Kg

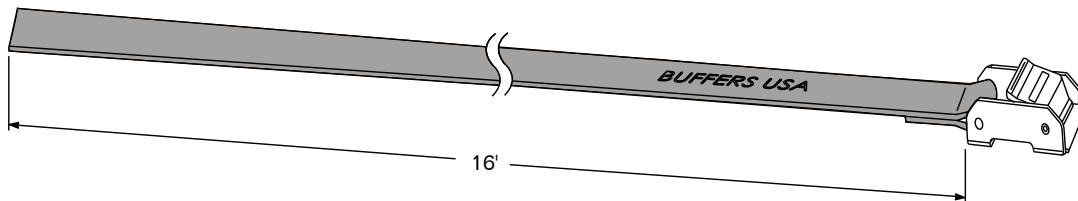
MODEL 2905-6042

CAM BUCKLE

2" x 16' w/ Endless Strap

WORKING LOAD LIMIT (WLL): 833 LBS / 378 Kg

BREAK STRENGTH (BS): 2,500 LBS / 1,134 Kg



STRAP COLOR: GRAY **WEIGHT:** 1.39 LBS / 0.63 Kg

BUFFERS USA 

Securing Your Containers. Protecting Your Cargo.
At Sea. Over Land. On Rail.™

Sales@BuffersUSA.com • www.BuffersUSA.com • 904.696.0010

HOME OFFICE: 10180 New Berlin Road • Jacksonville, FL 32226

WAREHOUSES: Jacksonville, FL • Houston, TX • Detroit, MI • Los Angeles, CA

RATCHET STRAPS, ASSEMBLIES & REPLACEMENT PARTS (1 of 2)

WEBBING ONLY
2" wide, 10k lbs. BS



MODEL 2905-6092

2" x 15' Webbing

MODEL 2905-6093

2" x 18' Webbing

MODEL 2905-6047

2" x 300' Webbing
Continuous roll - no splicing

WEBBING ONLY
3" wide, 15k lbs. BS



MODEL 2905-6048

3" x 100' Webbing
max. 1 splice / roll

WEBBING ONLY
4" wide, 20k lbs. BS



MODEL 2905-6078-12

4" x 12' Webbing **SPECIAL ORDER**

MODEL 2905-6049

4" x 100' Webbing
max. 1 splice / roll

MODEL 2905-6049-300

4" x 300' Webbing **SPECIAL ORDER**
max. 3 splices / roll

LONG END
Fitted w/ Double
Wire J-Hook



MODEL 2905-6002-2-20

for 2" x 20' 6002 Assembly

MODEL 2905-6002-2-26

for 2" x 26' 6002 Assembly

MODEL 2905-6002-2-30

for 2" x 30' 6002 Assembly

MODEL 2905-6058-2

for 2" x 27' 6058 Assembly

MODEL 2905-6059-2

for 2" x 30' 6059 Assembly

MODEL 2905-6082-2

for 4" x 27' 6082 Assembly
16.2k lbs. BS

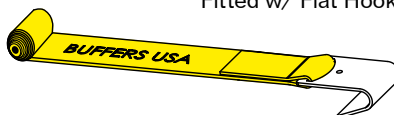
MODEL 2905-6083-2

for 4" x 30' 6083 Assembly
16.2k lbs. BS

MODEL 2905-6059-4-40

for 4" x 40' 6082-40 Assembly

LONG END
Fitted w/ Flat Hook



MODEL 2905-6056-2

for 2" x 27' 6056 Assembly

MODEL 2905-6057-2

for 2" x 30' 6057 Assembly

MODEL 2904-2805

for 4" x 27' Assembly, 15k lbs. BS

MODEL 2904-2806

for 4" x 30' Assembly, 15k lbs. BS

LONG END
Fitted w/ Grab Hook



MODEL 2905-6063-2

for 2" x 30' 6063 Assembly, 10k lbs. BS

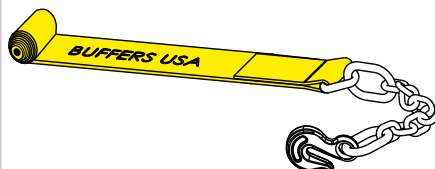
MODEL 2904-2809

for 4" x 27' Assembly, 16.2k lbs. BS

MODEL 2904-2810

for 4" x 30' Assembly, 16.2k lbs. BS

LONG END
Fitted w/ 18" Chain Anchor



MODEL 2904-2811

for 4" x 27' Assembly, 16.2k lbs. BS

MODEL 2904-2812

for 4" x 30' Assembly, 16.2k lbs. BS

BUFFERS USA

Securing Your Containers. Protecting Your Cargo.
At Sea. Over Land. On Rail.™

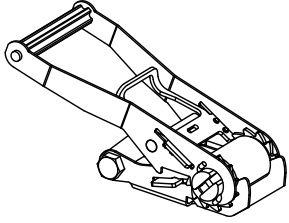
Sales@BuffersUSA.com • www.BuffersUSA.com • 904.696.0010

HOME OFFICE: 10180 New Berlin Road • Jacksonville, FL 32226

WAREHOUSES: Jacksonville, FL • Houston, TX • Detroit, MI • Los Angeles, CA

RATCHET STRAPS, ASSEMBLIES & REPLACEMENT PARTS (2 of 2)

RATCHET ONLY



MODEL 2905-6056-3

for 2" Webbing

MODEL 2905-6068-3

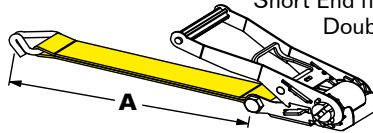
for 3" Webbing

MODEL 2905-6080-3

for 4" Webbing

RATCHET ASSEMBLY

Short End fitted w/
Double Wire
J-Hook



MODEL 2905-6058-3-KIT-10

for 2" Assembly, **A = 10"** **SPECIAL ORDER**

MODEL 2905-6058-3-KIT-18

for 2" Assembly, **A = 18"** **SPECIAL ORDER**

MODEL 2905-6058-3-KIT-60

for 2" Assembly, **A = 60"**

MODEL 2905-6058-3-KIT-78

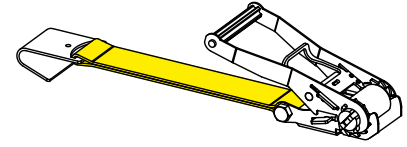
for 2" Assembly, **A = 78"**

MODEL 2905-6082-3-KIT

for 4" Assembly, **A = 19-1/2"** **SP. ORDER**

RATCHET ASSEMBLY

Short End fitted
w/ Flat Hook



MODEL 2905-6056-3-KIT

for 2" Assembly

MODEL 2905-6068-3-KIT

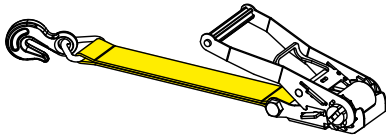
for 3" Assembly

MODEL 2905-6080-3-KIT

for 4" Assembly

RATCHET ASSEMBLY

Short End fitted
w/ Grab Hook



MODEL 2905-6062-3-KIT

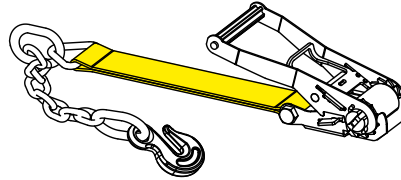
for 2" Assembly

MODEL 2905-6086-3-KIT

for 4" Assembly

RATCHET ASSEMBLY

Short End fitted w/
Chain Anchor



MODEL 2905-6060-3-KIT

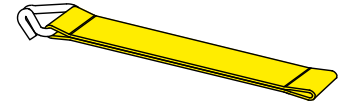
for 2" Assembly

MODEL 2905-6084-3-KIT

for 4" Assembly

SHORT END

Fitted w/ Double Wire J-Hook



MODEL 2905-6058-1

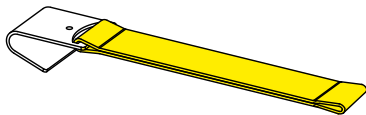
for 2" Assembly

MODEL 2905-6082-1

for 4" Assembly

SHORT END

Fitted w/ Flat Hook



MODEL 2905-6056-1

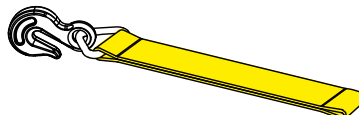
for 2" Assembly

MODEL 2905-6080-1

for 4" Assembly **SPECIAL ORDER**

SHORT END

Fitted w/ Grab Hook

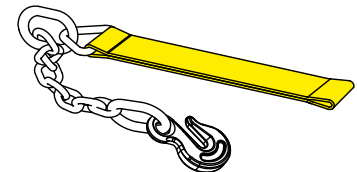


MODEL 2905-6062-1

for 2" Assembly

SHORT END

Fitted w/ Chain Anchor



MODEL 2905-6060-1

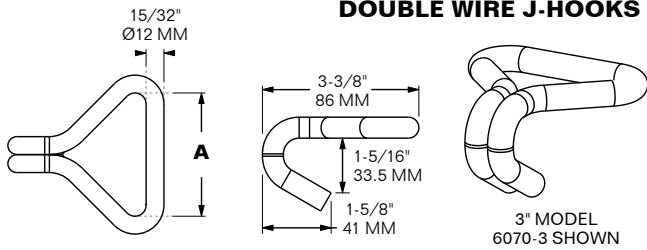
for 2" Assembly

MODEL 2905-6084-1

for 4" Assembly

STRAP COMPONENTS & REPLACEMENT PARTS

DOUBLE WIRE J-HOOKS

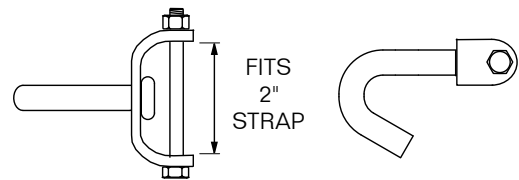


MODEL	FITS SIZE	A	MBS	WLL	WEIGHT
2905-6058-3	2"	2-1/32" 52 MM	10,000 # 4,536 Kg	3,333 # 1,511 Kg	0.62 LB 0.28 Kg
2902-6070-3	3"	3-1/32" 77.3 MM	13,000 # 5,897 Kg	5,000 # 2,267 Kg	1.6 LBS 0.7 Kg
2902-6082-3	4"	4-1/32" 102.6 MM	20,000 # 9,072 Kg	5,400 # 2,449 Kg	1.76 LBS 0.8 Kg

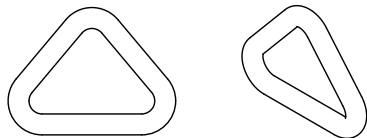
MATERIAL: HIGH-TENSILE STEEL **FINISH:** YELLOW ZINC-PLATED

MODEL 2909-6009-3

SWIVEL J-HOOK
for 2"-wide Webbing



FINISH: ZINC-PLATED
WEIGHT: 1 LB / 0.45 Kg
WORKING LOAD LIMIT: 3,667 LBS
MIN. BREAK STRENGTH: 11,000 LBS



DELTA RING

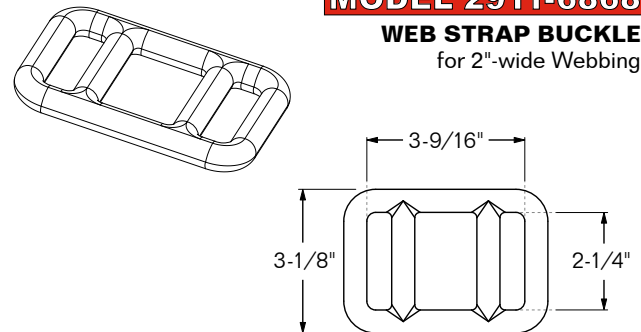
MODEL	FITS SIZE	WORKING LOAD LIMIT	WEIGHT
SPECIAL ORDER			
2905-6064-3	2"	3,333 LBS	0.9 LB / 0.41 Kg
2905-6072-3	3"	5,000 LBS	1.3 LBS / 0.59 Kg

MODEL	FITS SIZE	WORKING LOAD LIMIT	WEIGHT
2905-2807-3	4"	5,400 LBS	1.5 LBS / 0.68 Kg

FINISH: ZINC-PLATED

MODEL 2911-6868

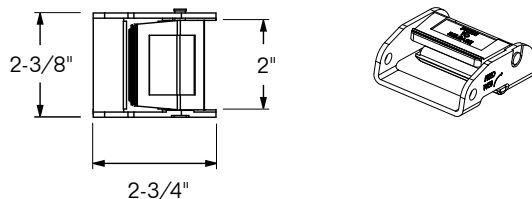
WEB STRAP BUCKLE
for 2"-wide Webbing



MATERIAL: FORGED STEEL
FINISH: ZINC-PLATED
WEIGHT: 0.71 LB / 0.32 Kg
MIN. BREAK STRENGTH: 10,000 LBS

MODEL 2907-6030-1

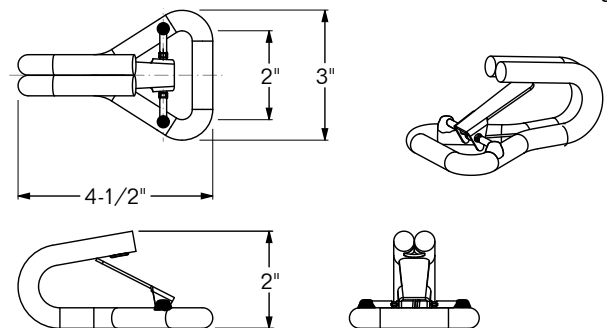
CAM BUCKLE for 2"-wide Webbing



MATERIAL: FORGED STEEL
FINISH: ZINC-PLATED
WEIGHT: 0.55 LB / 0.25 Kg
MIN. BREAK STRENGTH: 3,000 LBS

SPECIAL ORDER MODEL 2905-6002-3-SL

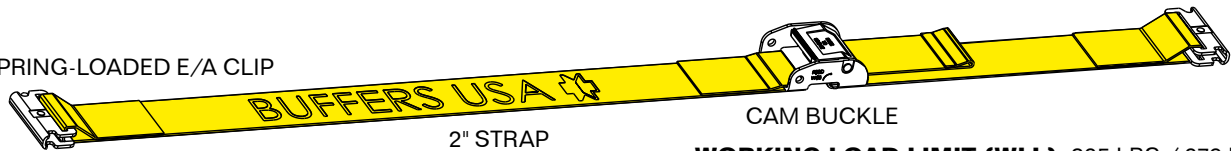
DOUBLE WIRE J-HOOK w/ Spring Latch
for 2"-wide Webbing



FINISH: YELLOW ZINC-PLATED
WEIGHT: 0.92 LB / 0.41 Kg

TRAILER LOGISTIC STRAPS (Cam Buckle)

SPRING-LOADED E/A CLIP



2" STRAP

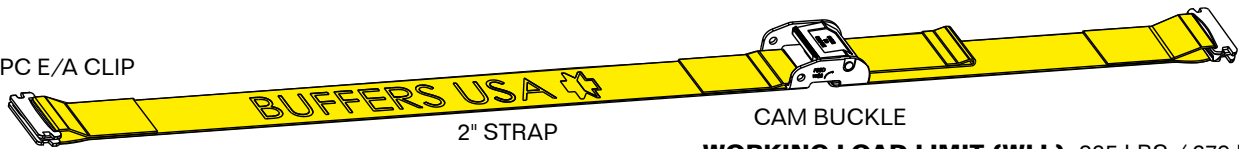
CAM BUCKLE

FITS E & A SERIES TRACKS

WORKING LOAD LIMIT (WLL): 835 LBS / 379 Kg
MIN. BREAK STRENGTH (BS): 2,500 LBS / 1,134 Kg

MODEL	DESCRIPTION	COLOR	WEIGHT
2907-6030	2" x 12' w/ SPRING-LOADED E/A CLIP	YELLOW	1.7 LBS / 0.77 Kg
2907-6031	2" x 16' w/ SPRING-LOADED E/A CLIP	GRAY	1.92 LBS / 0.87 Kg
2907-6032	2" x 20' w/ SPRING-LOADED E/A CLIP	BLUE	2.09 LBS / 0.95 Kg

3-PC E/A CLIP



2" STRAP

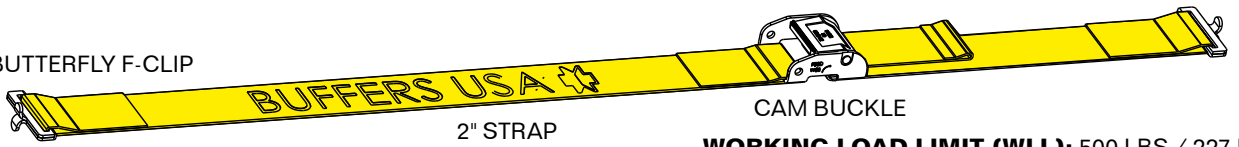
CAM BUCKLE

FITS E & A SERIES TRACKS

WORKING LOAD LIMIT (WLL): 835 LBS / 379 Kg
MIN. BREAK STRENGTH (BS): 2,500 LBS / 1,134 Kg

MODEL	DESCRIPTION	COLOR	WEIGHT
2907-6033	2" x 12' w/ E/A CLIP	YELLOW	1.65 LBS / 0.75 Kg
2907-6034	2" x 16' w/ E/A CLIP	GRAY	1.83 LBS / 0.83 Kg
2907-6035	2" x 20' w/ E/A CLIP	BLUE	2 LBS / 0.91 Kg

BUTTERFLY F-CLIP



2" STRAP

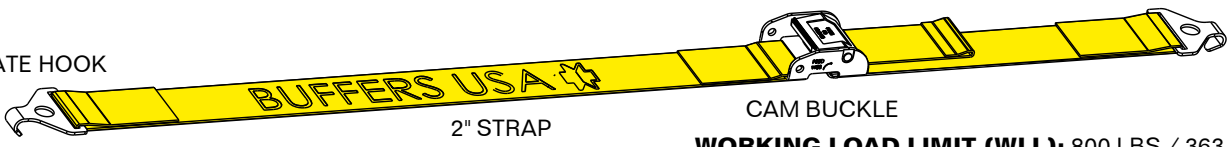
CAM BUCKLE

FITS F SERIES TRACKS

WORKING LOAD LIMIT (WLL): 500 LBS / 227 Kg
MIN. BREAK STRENGTH (BS): 1,500 LBS / 680 Kg

MODEL	DESCRIPTION	COLOR	WEIGHT
2907-6036	2" x 12' w/ BUTTERFLY F-CLIP	YELLOW	1.45 LBS / 0.66 Kg
2907-6037	2" x 16' w/ BUTTERFLY F-CLIP	GRAY	1.62 LBS / 0.74 Kg
2907-6038	2" x 20' w/ BUTTERFLY F-CLIP	BLUE	1.8 LBS / 0.82 Kg

PLATE HOOK



2" STRAP

CAM BUCKLE

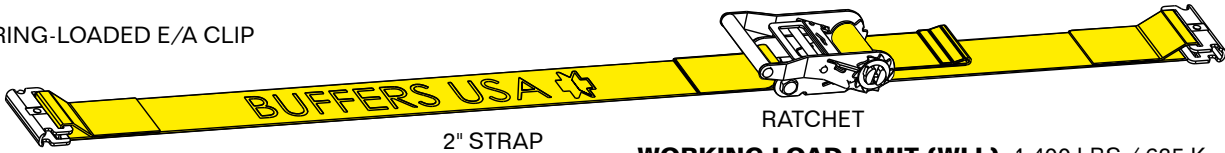
FITS F SERIES TRACKS

WORKING LOAD LIMIT (WLL): 800 LBS / 363 Kg
MIN. BREAK STRENGTH (BS): 2,400 LBS / 1,088 Kg

MODEL	DESCRIPTION	COLOR	WEIGHT
2907-6039	2" x 12' w/ PLATE HOOK	YELLOW	1.65 LBS / 0.75 Kg
2907-6040	2" x 16' w/ PLATE HOOK	GRAY	1.83 LBS / 0.83 Kg
2907-6041	2" x 20' w/ PLATE HOOK	BLUE	2 LBS / 0.91 Kg

TRAILER LOGISTIC STRAPS (Ratchet)

SPRING-LOADED E/A CLIP



2" STRAP

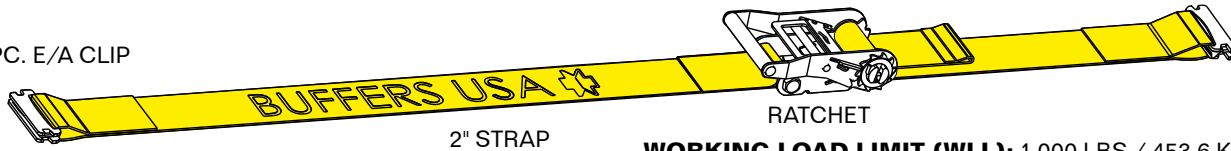
RATCHET

FITS E & A SERIES TRACKS

WORKING LOAD LIMIT (WLL): 1,400 LBS / 635 Kg
MIN. BREAK STRENGTH (BS): 4,200 LBS / 1,905 Kg

MODEL	DESCRIPTION	COLOR	WEIGHT
2907-6018	2" x 12' w/ SPRING-LOADED E/A CLIP	YELLOW	2.1 LBS / 0.95 Kg
2907-6019	2" x 16' w/ SPRING-LOADED E/A CLIP	GRAY	2.1 LBS / 0.98 Kg
2907-6020	2" x 20' w/ SPRING-LOADED E/A CLIP	BLUE	2.5 LBS / 1.13 Kg

3-PC. E/A CLIP



2" STRAP

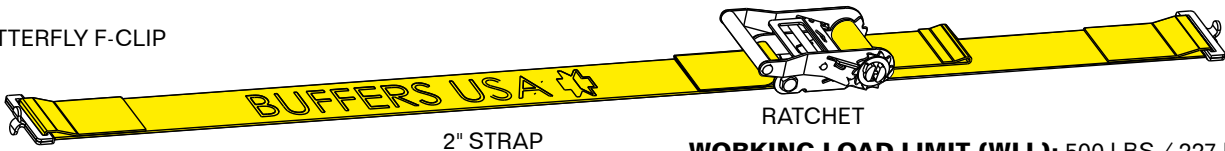
RATCHET

FITS E & A SERIES TRACKS

WORKING LOAD LIMIT (WLL): 1,000 LBS / 453.6 Kg
MIN. BREAK STRENGTH (BS): 3,000 LBS / 1,360.8 Kg

MODEL	DESCRIPTION	COLOR	WEIGHT
2907-6021	2" x 12' w/ E/A CLIP	YELLOW	2 LBS / 0.91 Kg
2907-6022	2" x 16' w/ E/A CLIP	GRAY	2.2 LBS / 1 Kg
2907-6023	2" x 20' w/ E/A CLIP	BLUE	2.4 LBS / 1.09 Kg

BUTTERFLY F-CLIP



2" STRAP

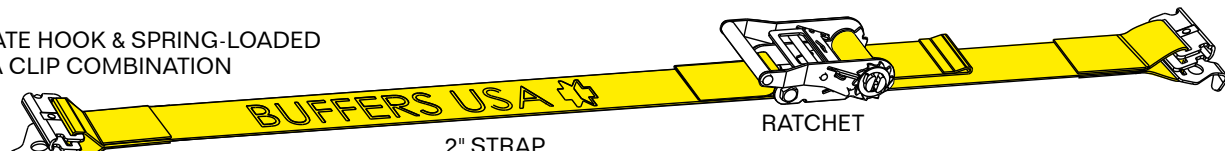
RATCHET

FITS F SERIES TRACKS

WORKING LOAD LIMIT (WLL): 500 LBS / 227 Kg
MIN. BREAK STRENGTH (BS): 1,500 LBS / 680 Kg

MODEL	DESCRIPTION	COLOR	WEIGHT
2907-6024	2" x 12' w/ BUTTERFLY F-CLIP	YELLOW	1.85 LBS / 0.84 Kg
2907-6025	2" x 16' w/ BUTTERFLY F-CLIP	GRAY	2.05 LBS / 0.93 Kg
2907-6026	2" x 20' w/ BUTTERFLY F-CLIP	BLUE	2.25 LBS / 1.02 Kg

PLATE HOOK & SPRING-LOADED E/A CLIP COMBINATION



2" STRAP

RATCHET

FITS E, A & F SERIES TRACKS

WORKING LOAD LIMIT (WLL): 833 LBS / 378 Kg
MIN. BREAK STRENGTH (BS): 2,500 LBS / 1,134 Kg

MODEL	DESCRIPTION	COLOR	WEIGHT
2907-6027	2" x 12' w/ PLATE HOOK & SPRING-LOADED E/A CLIP	YELLOW	2.55 LBS / 1.16 Kg
2907-6028	2" x 16' w/ PLATE HOOK & SPRING-LOADED E/A CLIP	GRAY	2.75 LBS / 1.25 Kg
2907-6029	2" x 20' w/ PLATE HOOK & SPRING-LOADED E/A CLIP	BLUE	2.95 LBS / 1.34 Kg

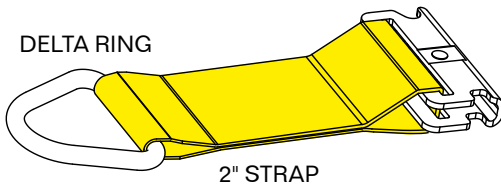
TRAILER LOGISTIC STRAPS (Tie-Offs)

SPECIAL ORDER ONLY

MODEL 2907-6044

SPRING-LOADED E/A CLIP
FITS E & A SERIES TRACKS

2" x 6" TIE-OFF w/ Delta Ring
& Spring-Loaded E/A Clip



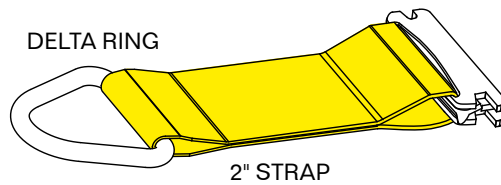
WORKING LOAD LIMIT (WLL): 1,000 LBS / 454 Kg
MIN. BREAK STRENGTH (BS): 3,000 LBS / 1,361 Kg
STRAP COLOR: YELLOW **WEIGHT:** 0.4 LBS / 0.18 Kg

SPECIAL ORDER ONLY

MODEL 2907-6045

3-PC E/A CLIP
FITS E & A SERIES TRACKS

2" x 6" TIE-OFF w/ Delta Ring
& 3-pc. E/A Clip



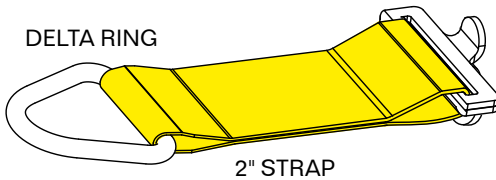
WORKING LOAD LIMIT (WLL): 1,000 LBS / 454 Kg
MIN. BREAK STRENGTH (BS): 3,000 LBS / 1,361 Kg
STRAP COLOR: YELLOW **WEIGHT:** 0.3 LBS / 0.14 Kg

SPECIAL ORDER ONLY

MODEL 2907-6046

BUTTERFLY F-CLIP
FITS F SERIES TRACKS

2" x 6" TIE-OFF w/ Delta Ring
& Butterfly F-Clip



WORKING LOAD LIMIT (WLL): 500 LBS / 227 Kg
MIN. BREAK STRENGTH (BS): 1,500 LBS / 680 Kg
STRAP COLOR: YELLOW **WEIGHT:** 0.25 LBS / 0.11 Kg

BUFFERS USA 

Securing Your Containers. Protecting Your Cargo.
At Sea. Over Land. On Rail.™

Sales@BuffersUSA.com • www.BuffersUSA.com • 904.696.0010

HOME OFFICE: 10180 New Berlin Road • Jacksonville, FL 32226

WAREHOUSES: Jacksonville, FL • Houston, TX • Detroit, MI • Los Angeles, CA